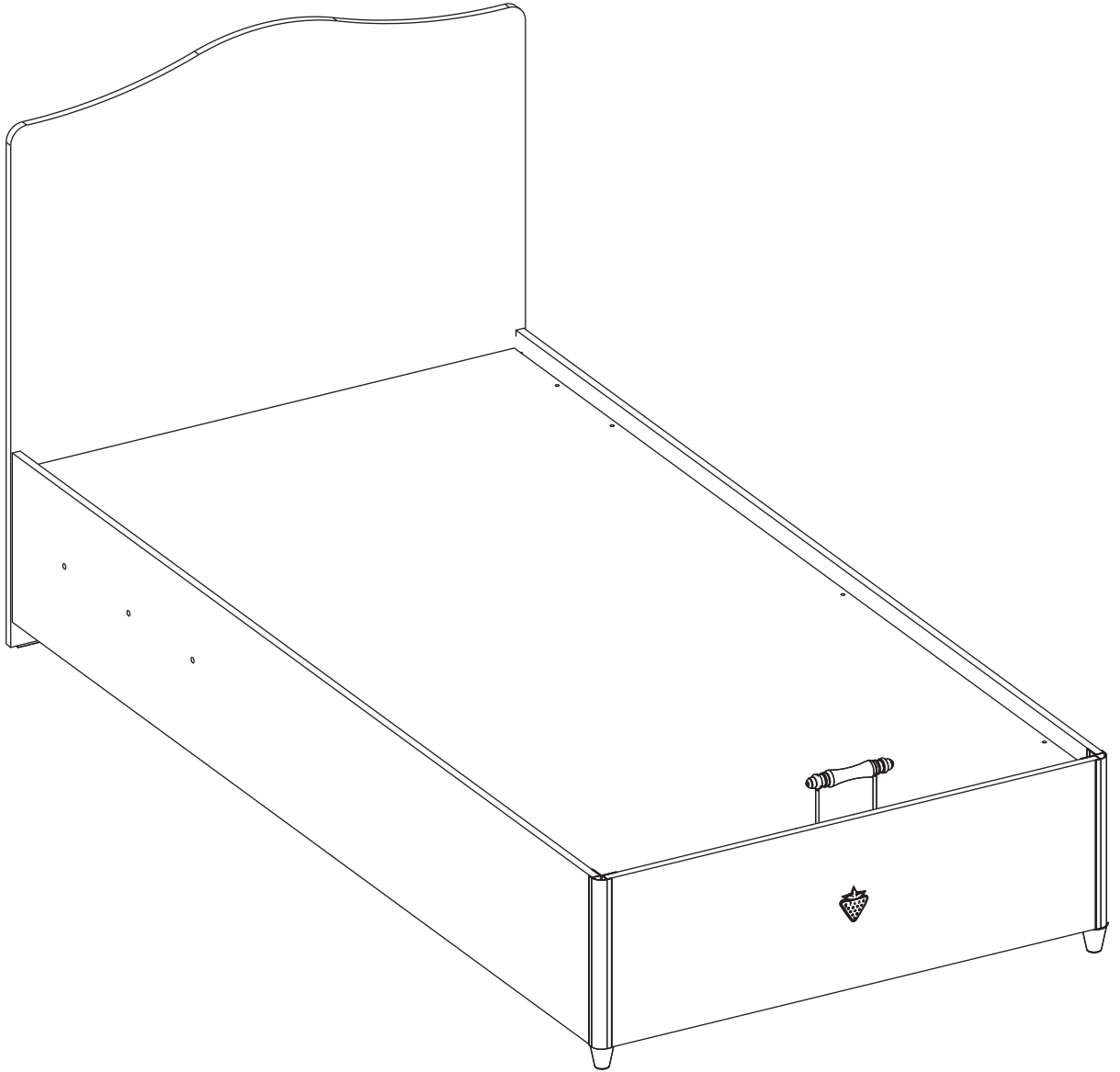
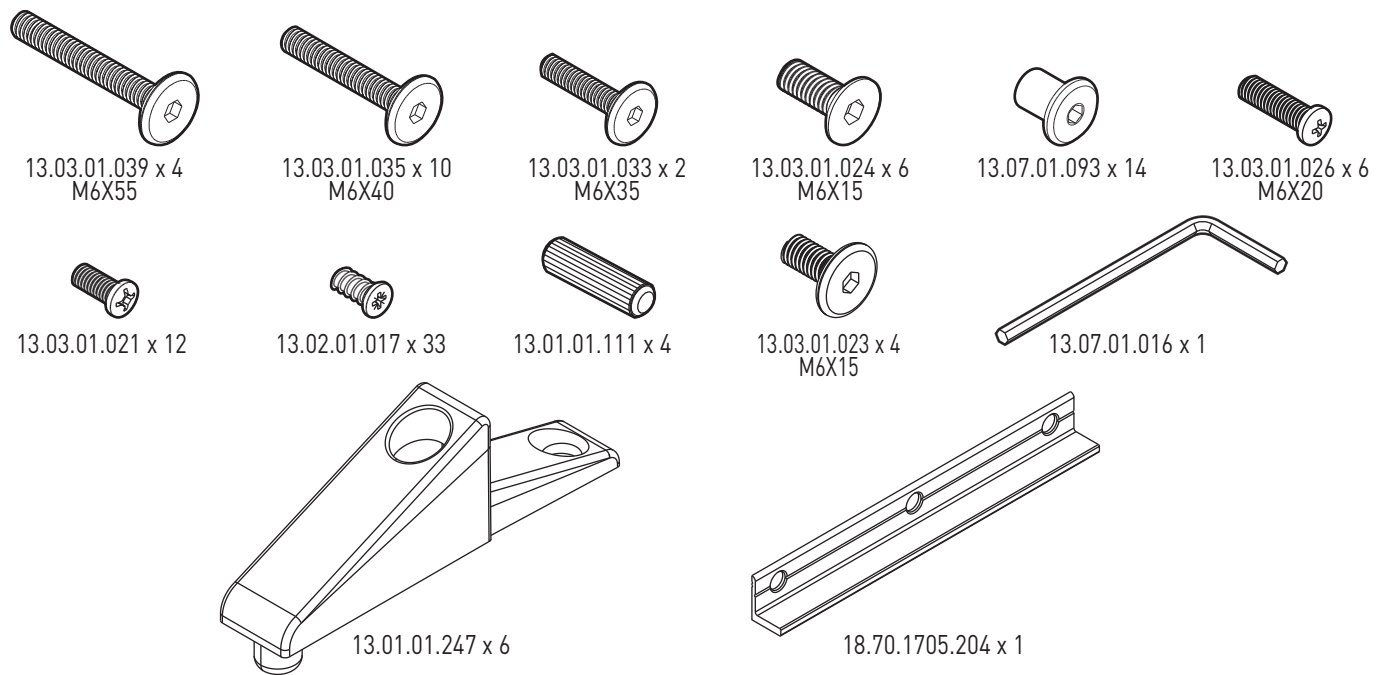
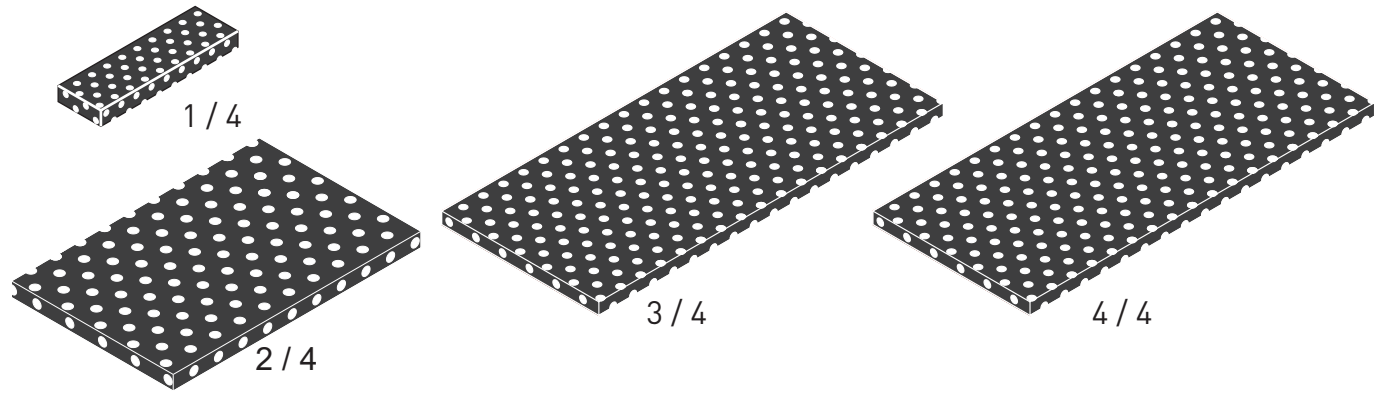
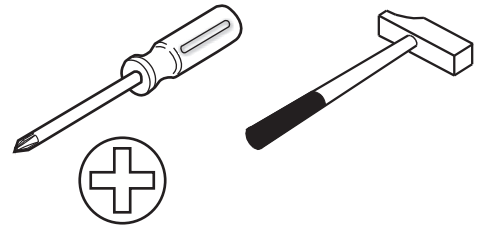
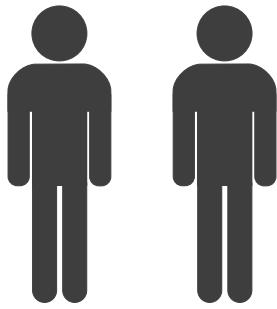
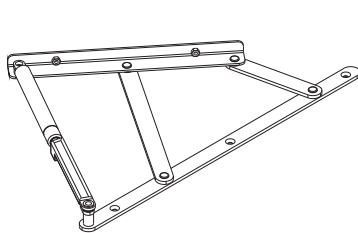


20.70.1705.00

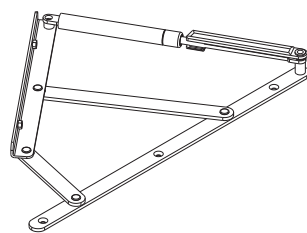




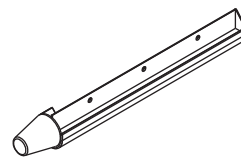
1 / 4



13.07.01.440 x 1



13.07.01.441 x 1

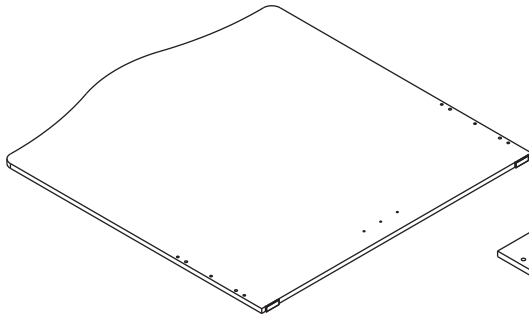


18.70.1705.206 x 2

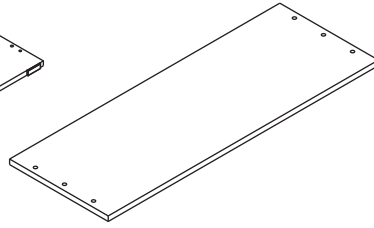


13.06.01.152 x 1

2 / 4

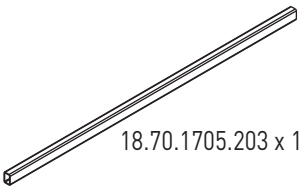


18.70.1705.006 x 1

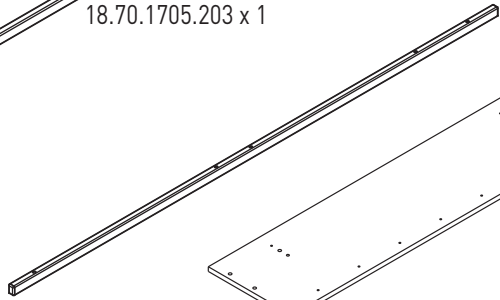


18.70.1705.003 x 1

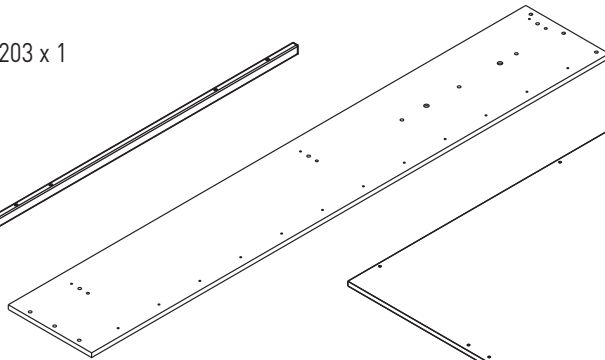
3 / 3



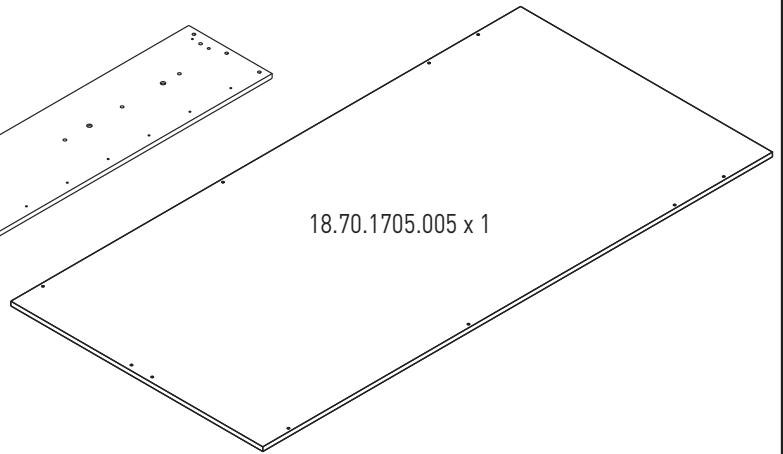
18.70.1705.203 x 1



18.70.1705.202 x 2

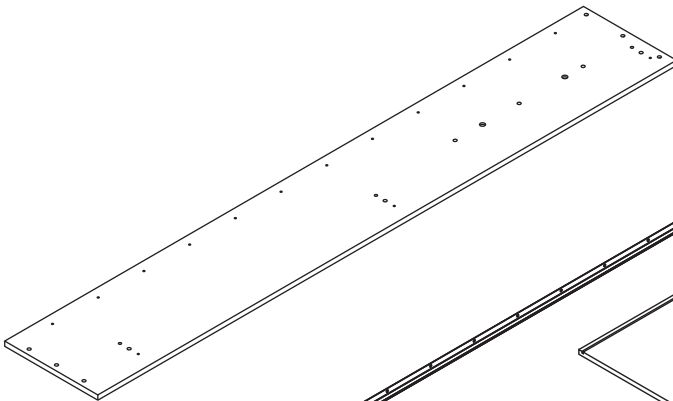


18.70.1705.001 x 1

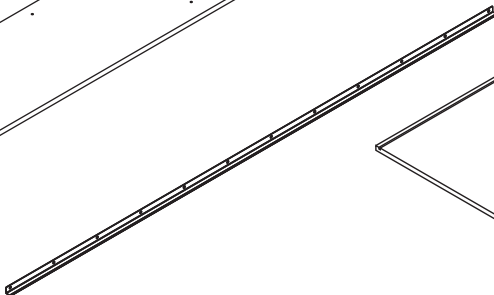


18.70.1705.005 x 1

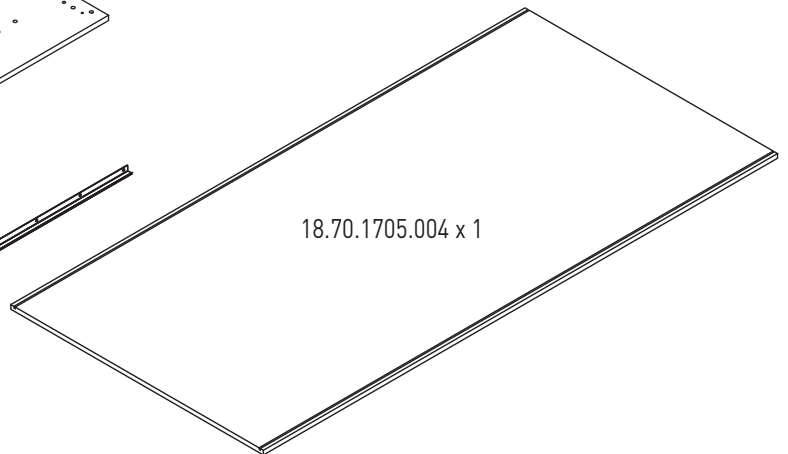
4 / 4



18.70.1705.002 x 1

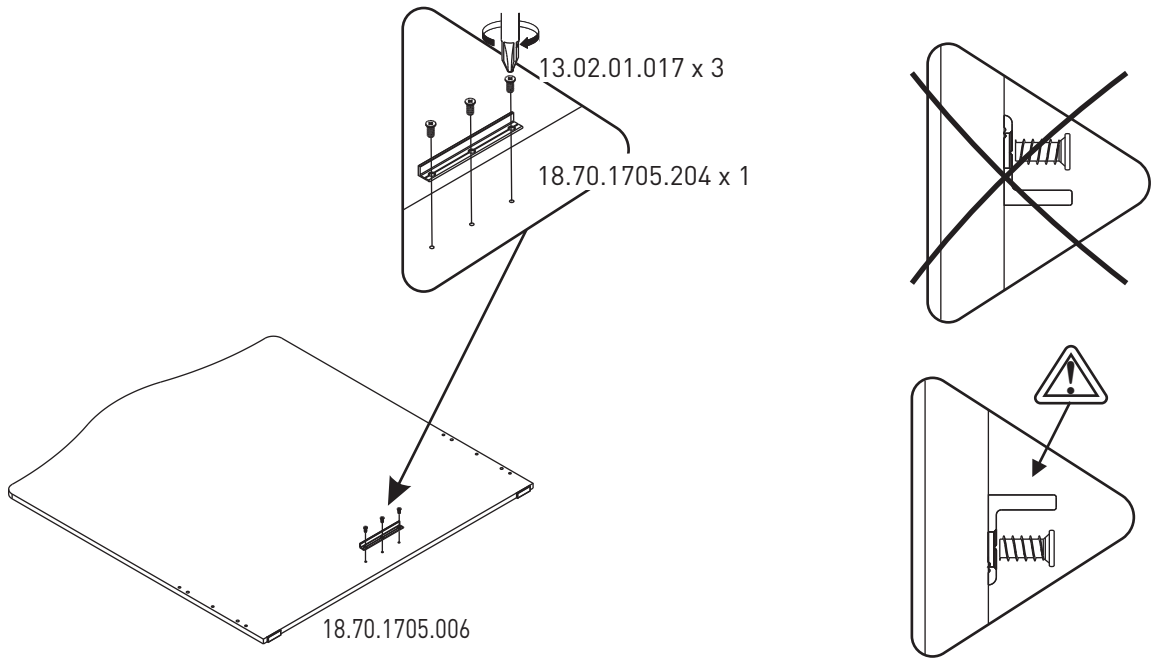


18.70.1705.201 x 2

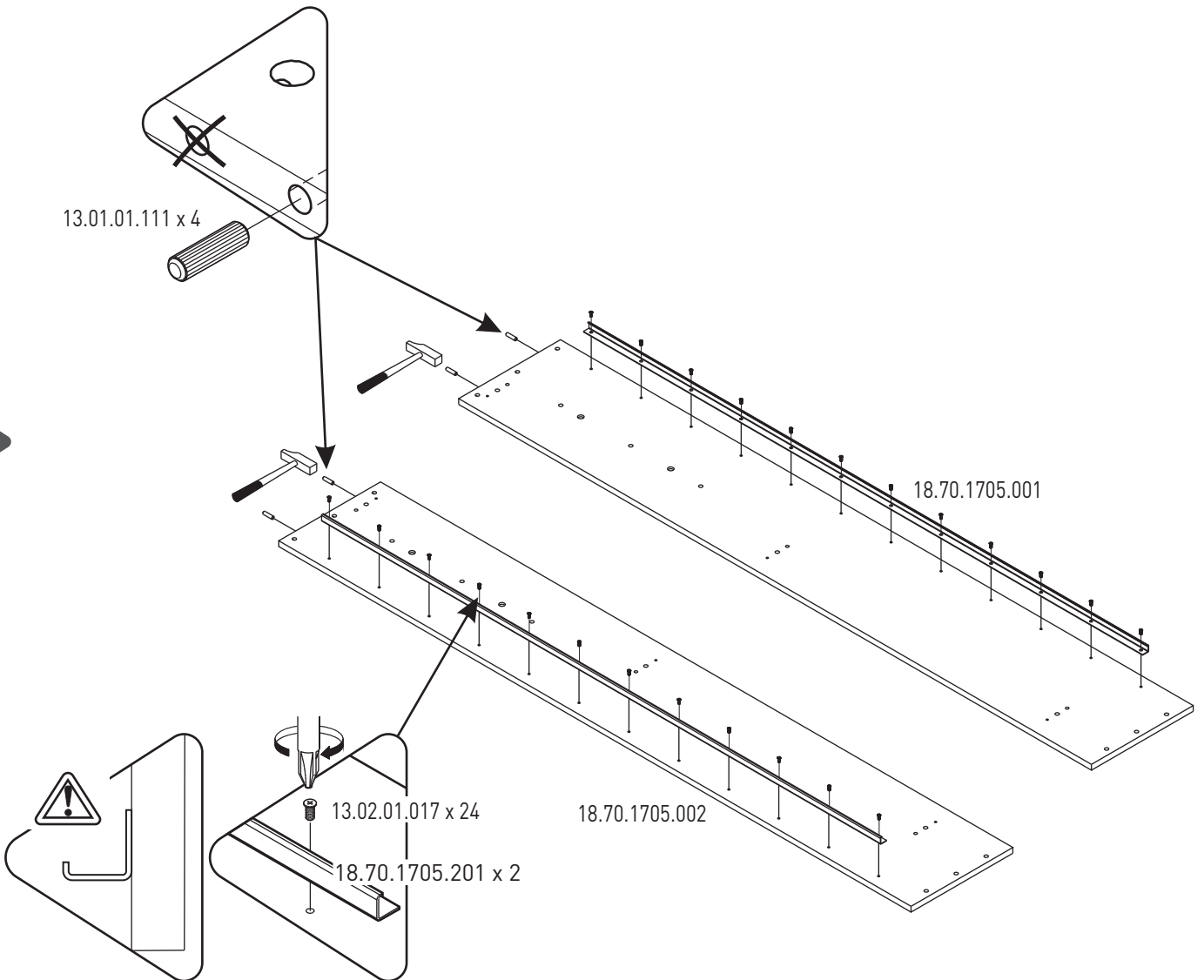


18.70.1705.004 x 1

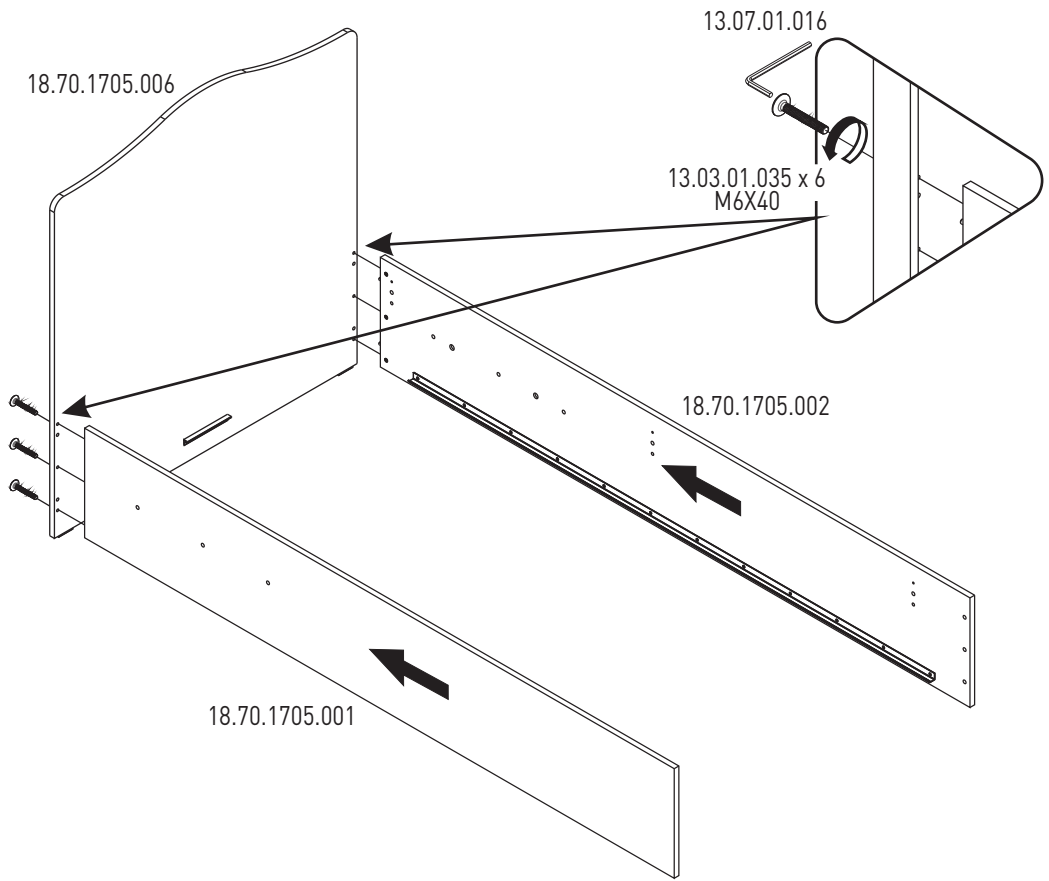
1



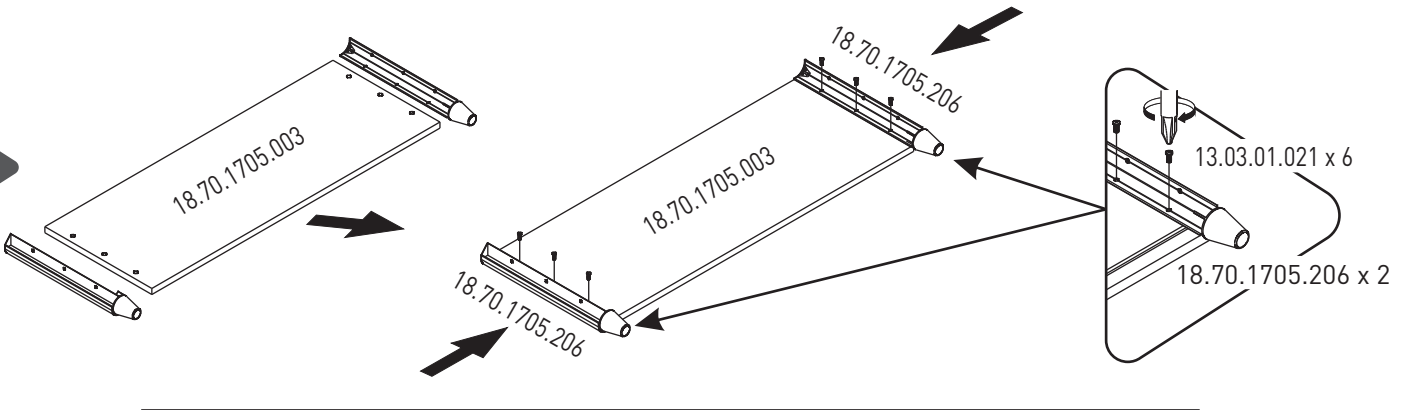
2



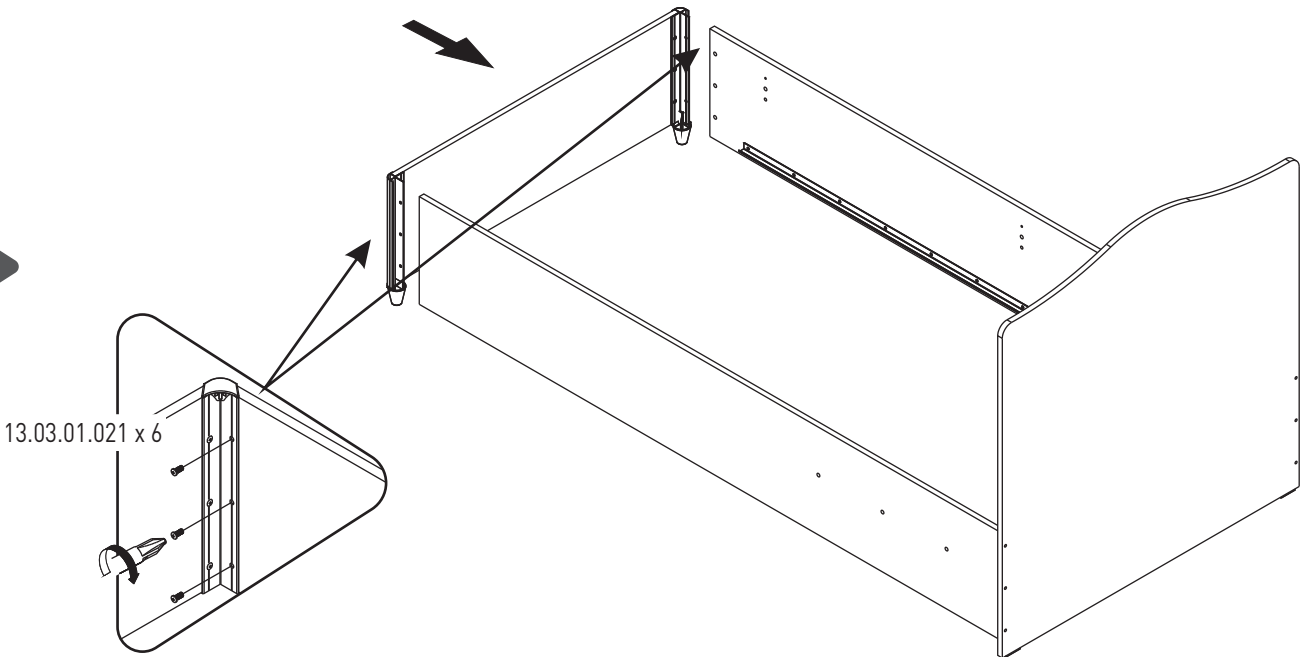
3



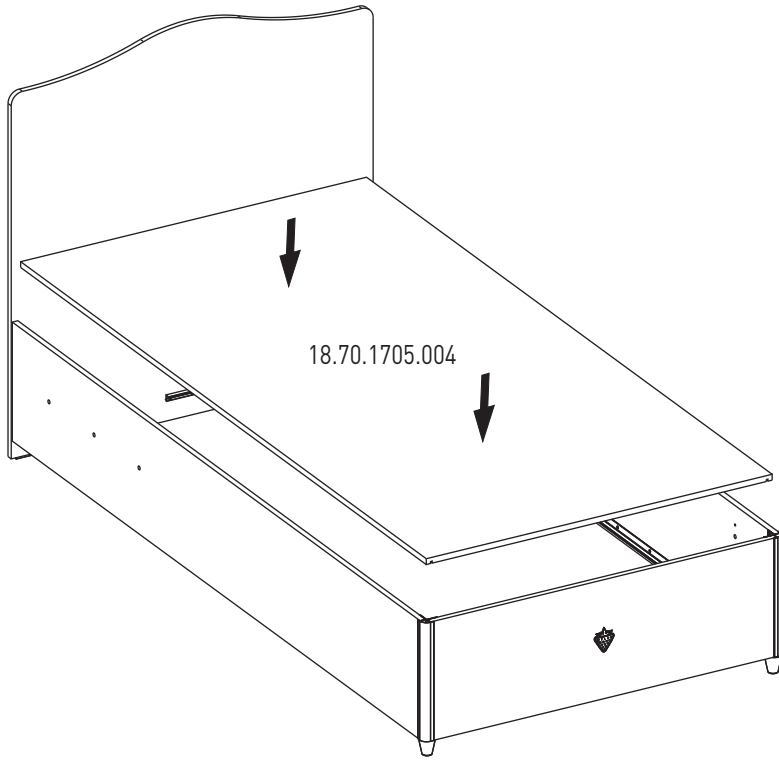
4



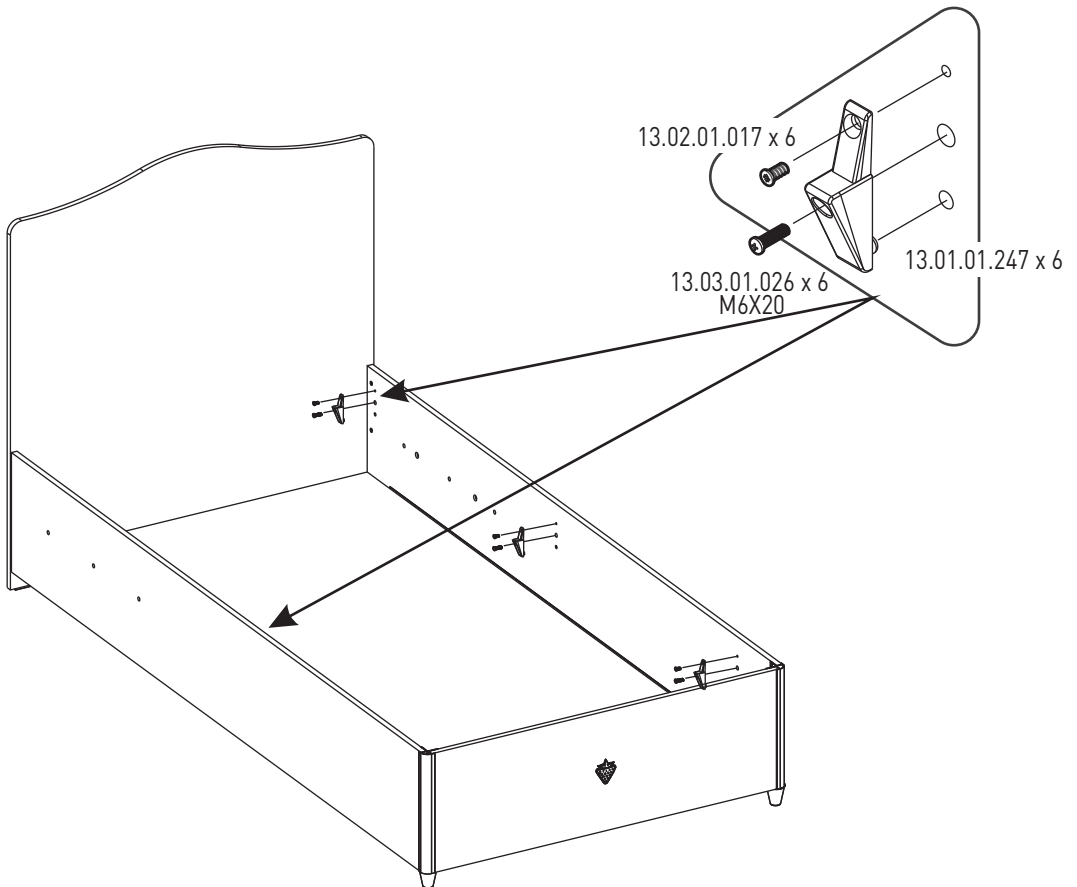
5



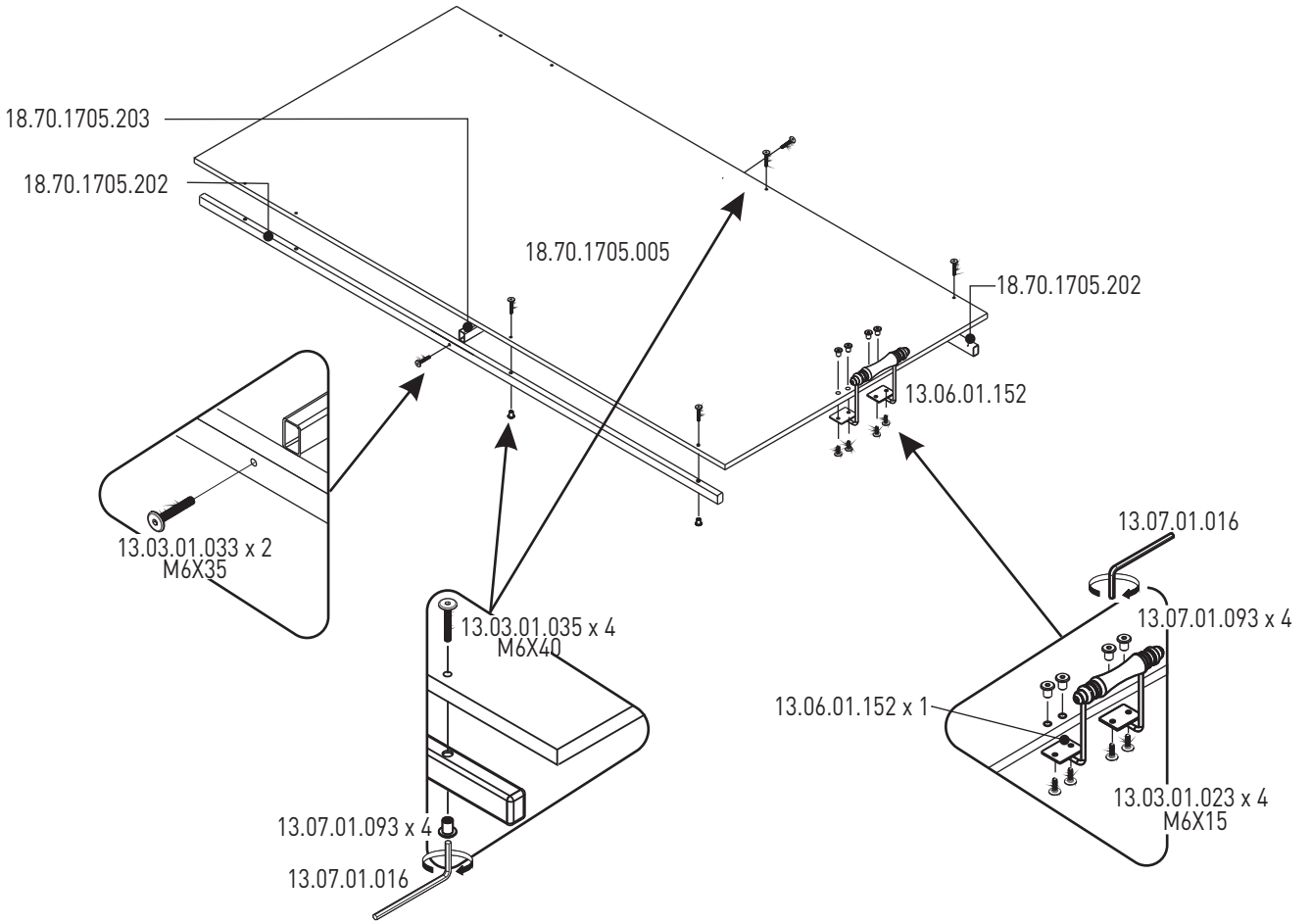
6



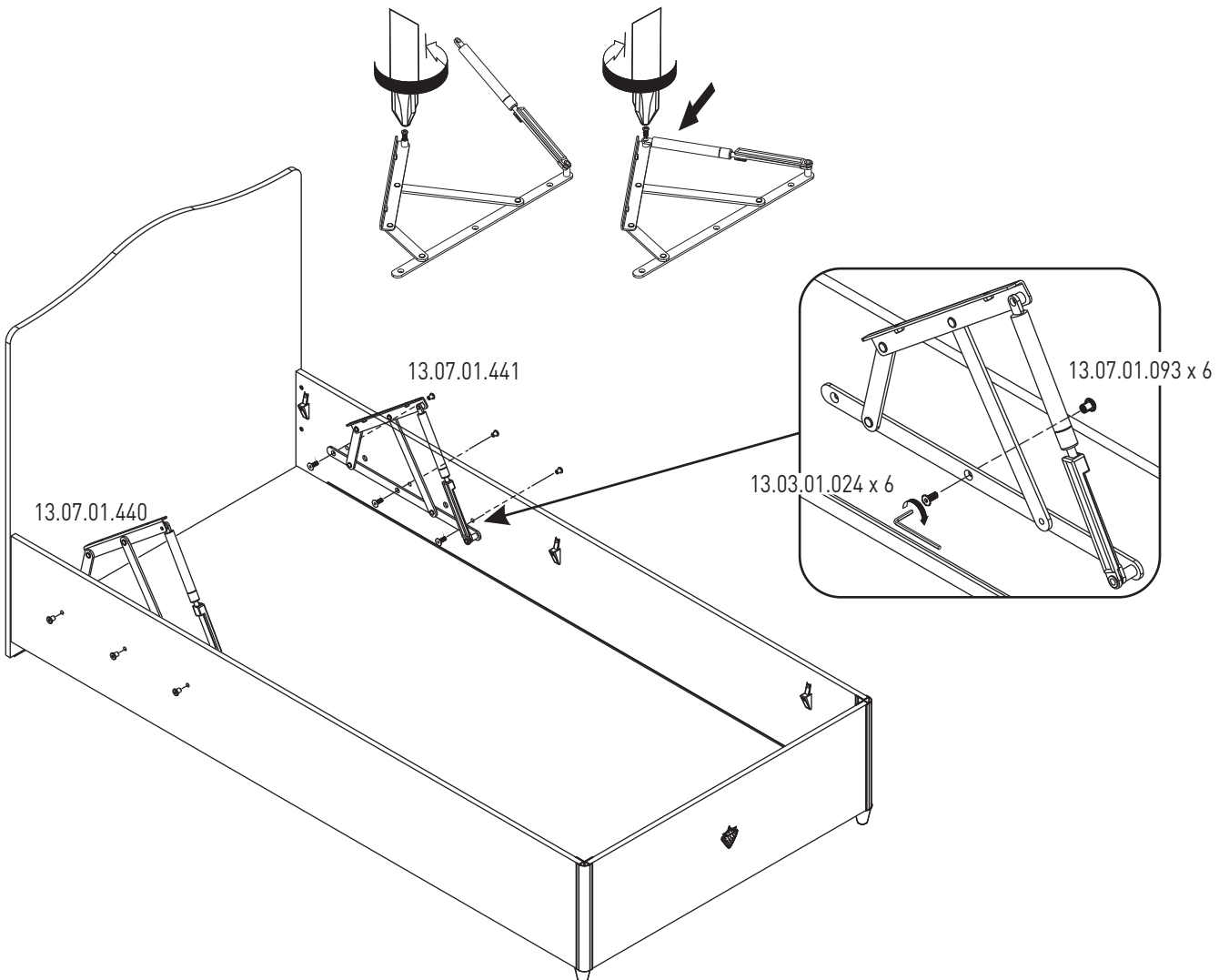
7



8

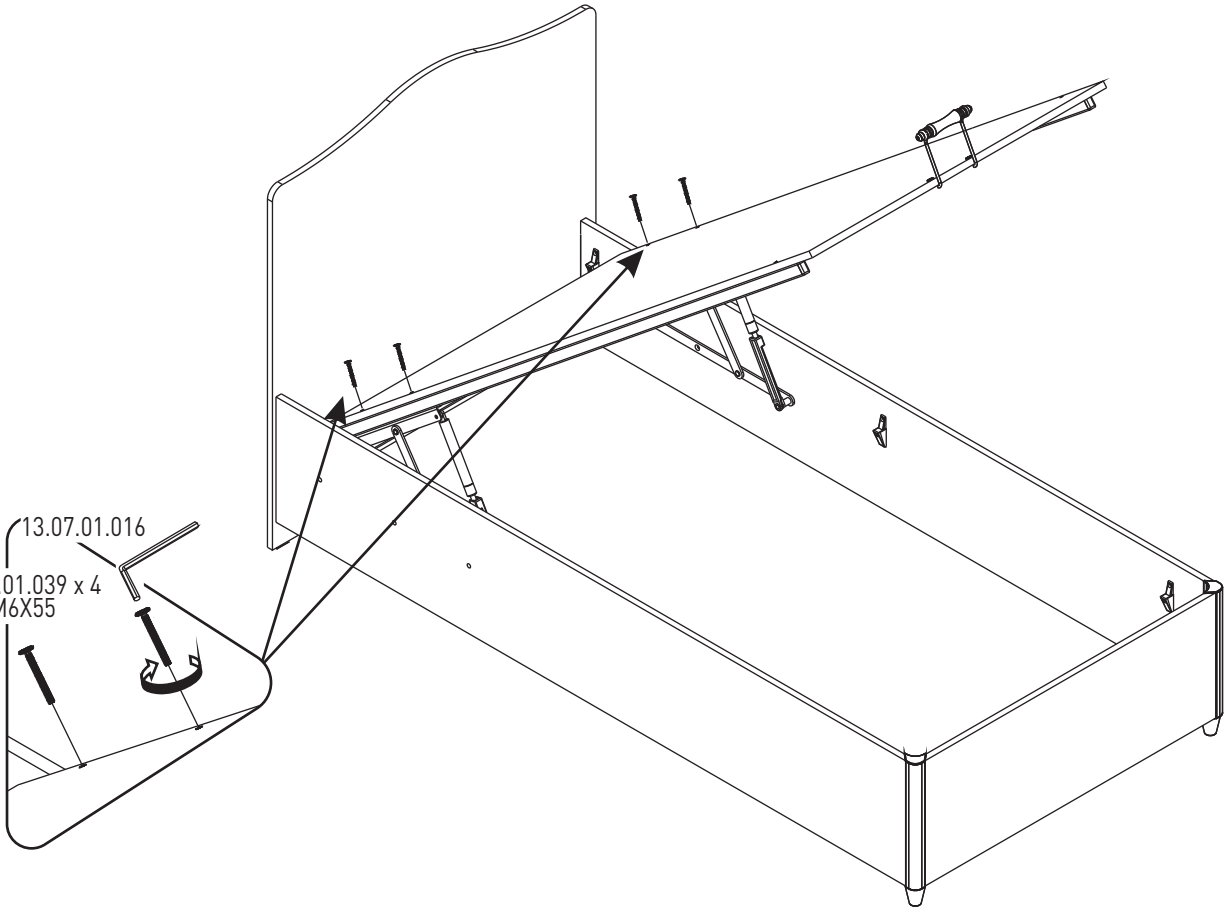


9



10

13.07.01.016
13.03.01.039 x 4
M6X55



i

