

Tolomeo Micro Table - Aluminium - Body Lamp + Base



IP20     

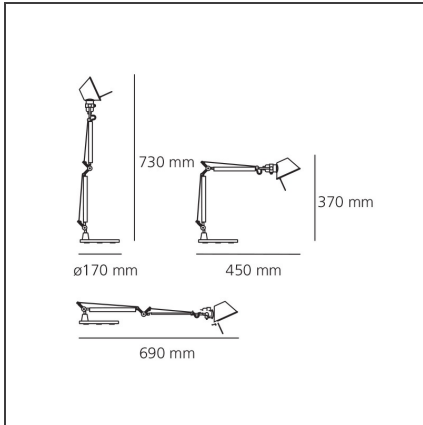
DESIGN BY

Michele De Lucchi, Giancarlo Fassina

DESCRIPTION

Base and cantilevered arms in polished aluminium; diffuser in matt anodised aluminium; joints and supports in polished aluminium. System of spring balancing. The code is referred to the body lamp only

TECHNICAL DRAWINGS



FEATURES

Article Code:	A011800	Material:	Aluminium, steel
Colour:	Aluminium	Series:	Design
Installation:	Table		

DIMENSIONS

Length:	cm 45	Max Extension Length:	cm 69
Height:	cm 37		
Base Diameter:	cm 17		
Max Extension Height:	cm 73		

NOT INCLUDED SOURCES

Category:	HALO	Color Rendering:	1a
Number:	1	Color temperature (K):	3000K
Watt:	46W		
Lbs:	Qt26		
Socket:	E14		

ALTERNATIVE SOURCES

Category:	LED
Number:	1
Watt:	4W
Type:	2
Socket:	E14
Class:	A

LUMINAIRE

Watt:	W	Delivered lumens output (lm):	244lm
Voltage:	220V-240V	CCT:	0K
		Efficiency:	57%
		Efficacy:	6.1lm/W
		CRI:	100

Notes

Interchangeable support: table base, clamp, desk fixed support and twin support that allows two independent lamp units to be fitted. Possibility to mount LED source on E14 Socket