

# Tolomeo Micro Table - Black - Body Lamp + Base



IP20     

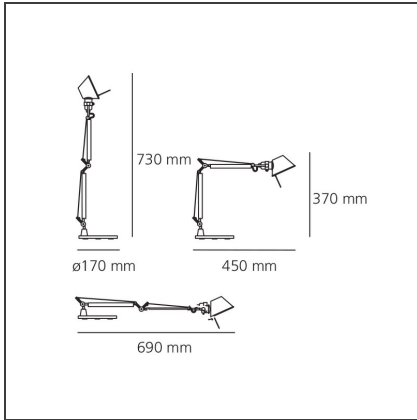
## DESIGN BY

Michele De Lucchi, Giancarlo Fassina

## DESCRIPTION

Base and cantilevered arms in polished aluminium; diffuser in matt anodised black aluminium; joints and supports in polished aluminium. System of spring balancing. The code is referred to the body lamp only

## TECHNICAL DRAWINGS



## FEATURES

<b>Article Code:</b>	A011830	<b>Material:</b>	Aluminium, steel
<b>Colour:</b>	Black	<b>Series:</b>	Design
<b>Installation:</b>	Table		

## DIMENSIONS

<b>Length:</b>	cm 45	<b>Max Extension Length:</b>	cm 69
<b>Height:</b>	cm 37		
<b>Base Diameter:</b>	cm 17		
<b>Max Extension Height:</b>	cm 73		

## NOT INCLUDED SOURCES

<b>Category:</b>	HALO	<b>Color Rendering:</b>	1a
<b>Number:</b>	1	<b>Color temperature (K):</b>	3000K
<b>Watt:</b>	46W		
<b>Lbs:</b>	Qt26		
<b>Socket:</b>	E14		

## ALTERNATIVE SOURCES

<b>Category:</b>	LED
<b>Number:</b>	1
<b>Watt:</b>	4W
<b>Type:</b>	2
<b>Socket:</b>	E14
<b>Class:</b>	A

## LUMINAIRE

<b>Watt:</b>	W	<b>Delivered lumens output (lm):</b>	244lm
<b>Voltage:</b>	220V-240V	<b>CCT:</b>	0K
		<b>Efficiency:</b>	57%
		<b>Efficacy:</b>	6.1lm/W
		<b>CRI:</b>	100

## Notes

Interchangeable support: table base, clamp, desk fixed support and twin support that allows two independent lamp units to be fitted. Possibility to mount LED source on E14 Socket

**ACCESSORIES**

---



TOLOMEO  
MORSETTO  
A004100



TOLOMEO  
SUPP.TAVOLO  
FISSO  
A004200