

AUKI

Hee Welling | 2015



There are moments during the day that go beyond a right angle and seek the sinuous embracing line that supports the body, protects and relaxes it. These are moments for the AUKI armchair. Like a shell, its curved shape gently opens up to create a subtle armrest. The headrest and stool complete its sheer comfort and transform the chair into an elegant chaise-longue. A wide choice of base supports, for the two different complementary small tables, square and round, enhance this perfectly versatile armchair.



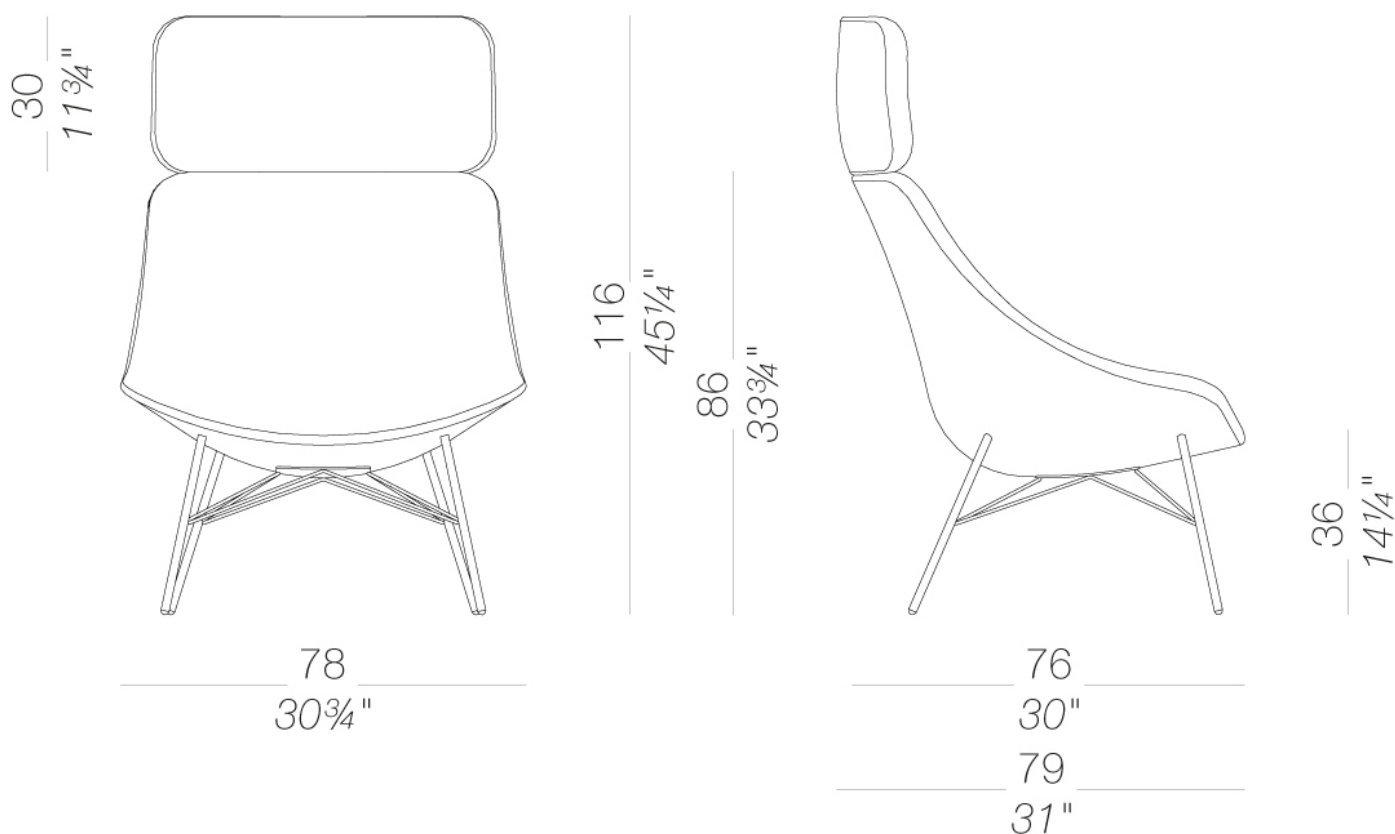
AUKI

Hee Welling | 2015

S112 | Upholstered armchair metal legs

AUKI | S112 S113 S115 S117 S118

Lounge chair with fire-retardant moulded polyurethane foam upholstered with fabric, soft leather or eco-leather. Four legged base in metal or ash, 4-star or round swivel base.



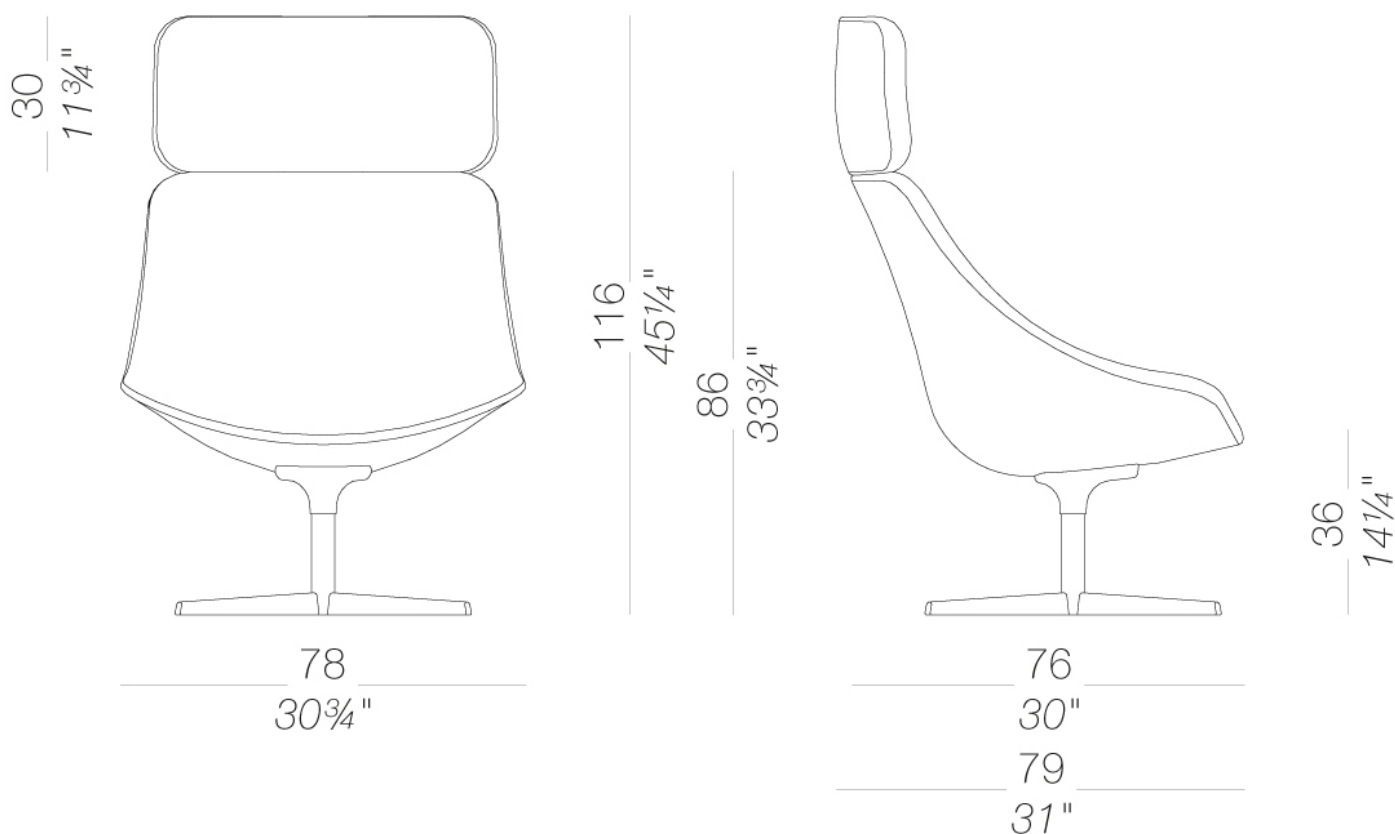
AUKI

Hee Welling | 2015

S113 | Lounge chair star-shaped swivel base

AUKI | S112 S113 S115 S117 S118

Lounge chair with fire-retardant moulded polyurethane foam upholstered with fabric, soft leather or eco-leather. Four legged base in metal or ash, 4-star or round swivel base.



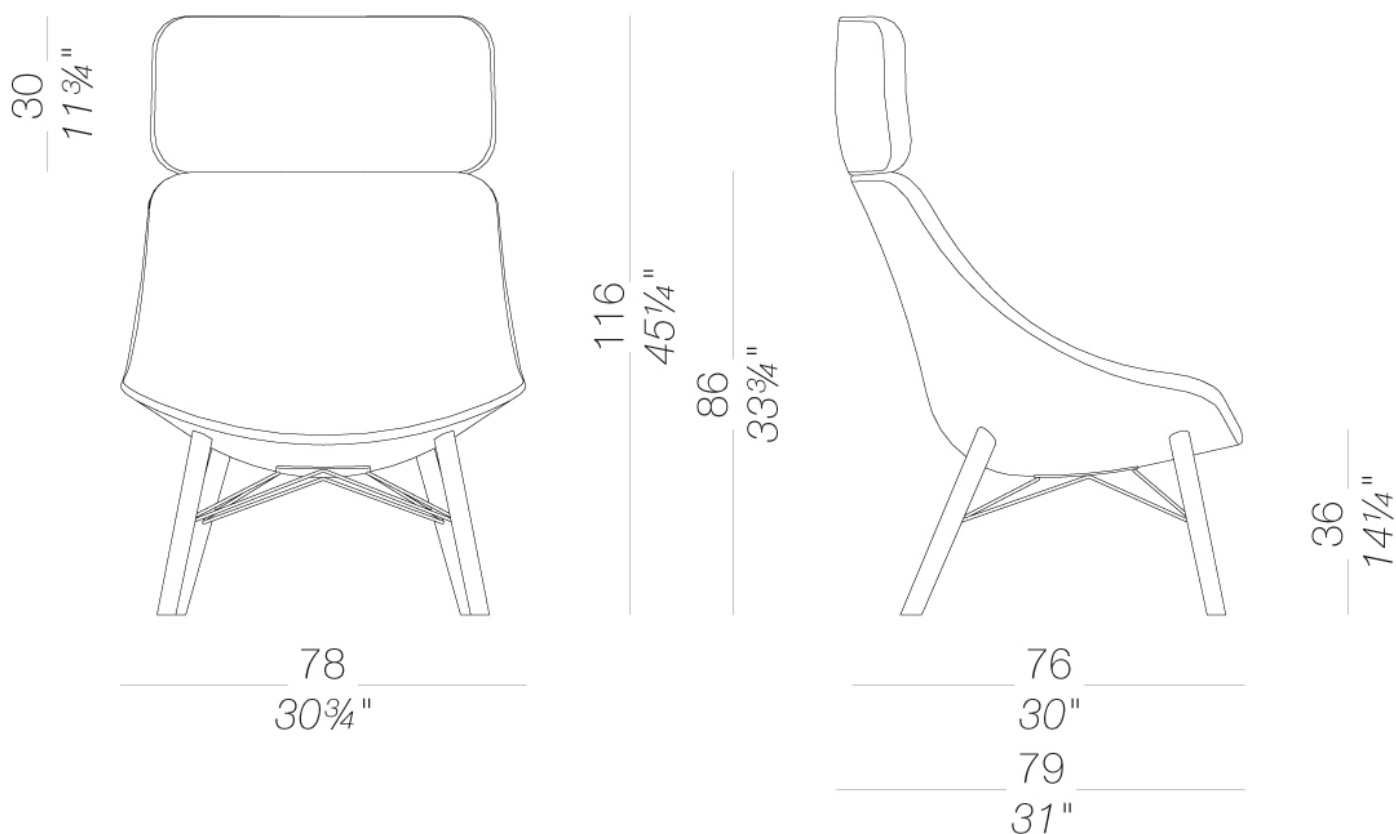
AUKI

Hee Welling | 2015

S115 | Upholstered armchair wood legs

AUKI | S112 S113 S115 S117 S118

Lounge chair with fire-retardant moulded polyurethane foam upholstered with fabric, soft leather or eco-leather. Four legged base in metal or ash, 4-star or round swivel base.



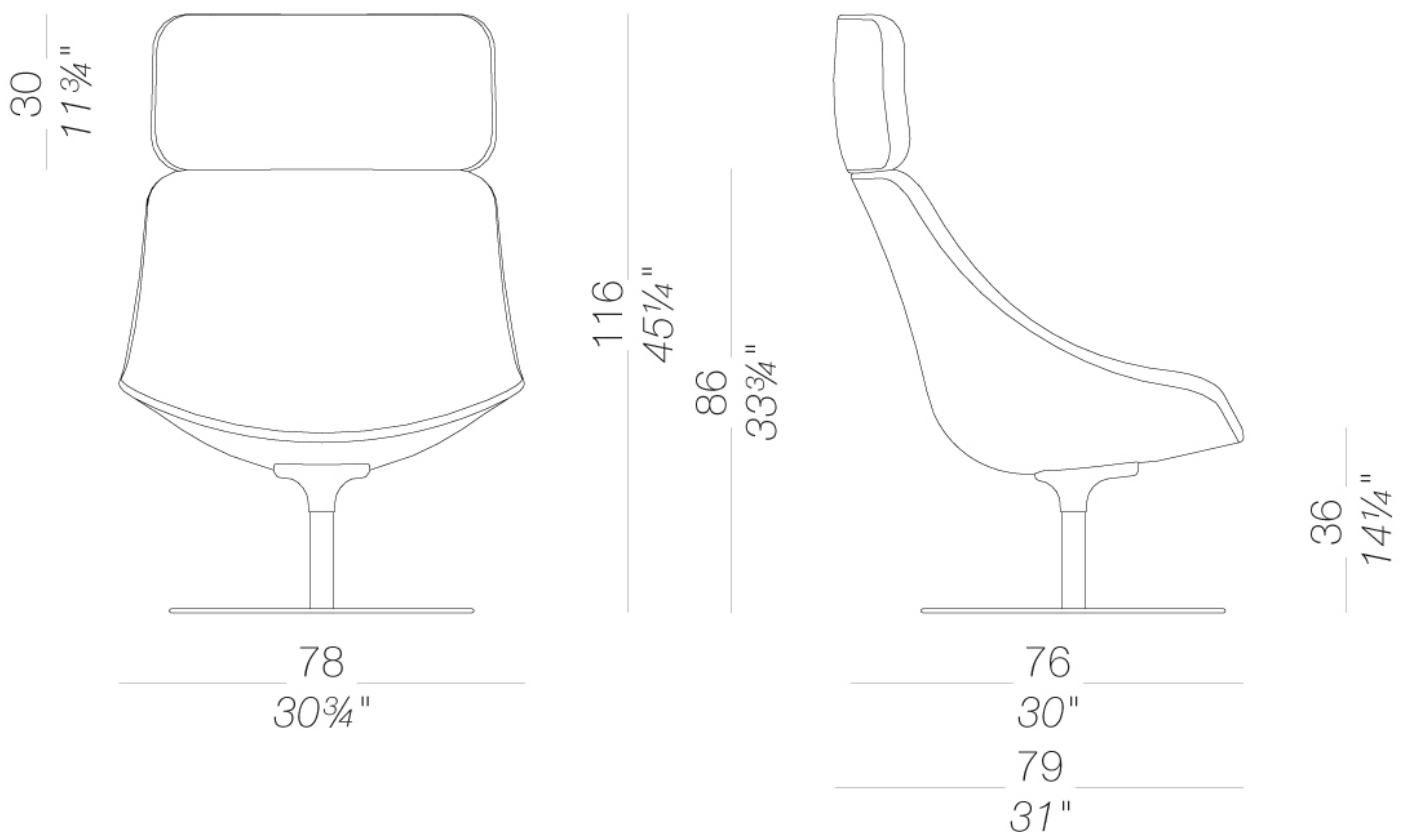
AUKI

Hee Welling | 2015

S117 | Lounge chair round swivel base

AUKI | S112 S113 S115 S117 S118

Lounge chair with fire-retardant moulded polyurethane foam upholstered with fabric, soft leather or eco-leather. Four legged base in metal or ash, 4-star or round swivel base.



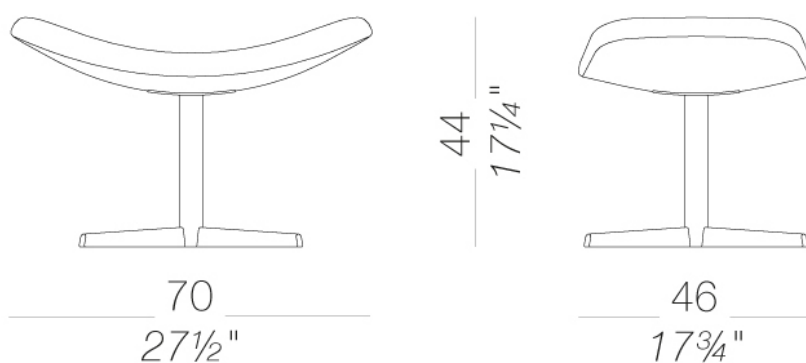
AUKI

Hee Welling | 2015

S114 | Upholstered footrest star-shaped metal base

AUKI | S114 S116

Footstool with fire-retardant moulded polyurethane foam upholstered with fabric, soft leather or eco-leather. 4-star metal base powder coated or mat chromed or with wooden legs.



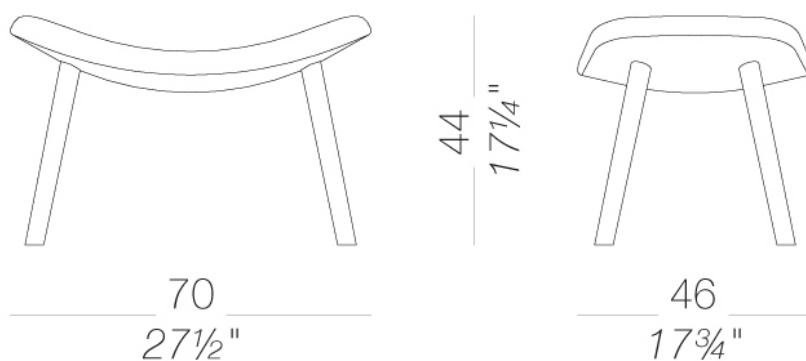
AUKI

Hee Welling | 2015

S116 | Upholstered footrest wood legs

AUKI | S114 S116

Footstool with fire-retardant moulded polyurethane foam upholstered with fabric, soft leather or eco-leather. 4-star metal base powder coated or mat chromed or with wooden legs.

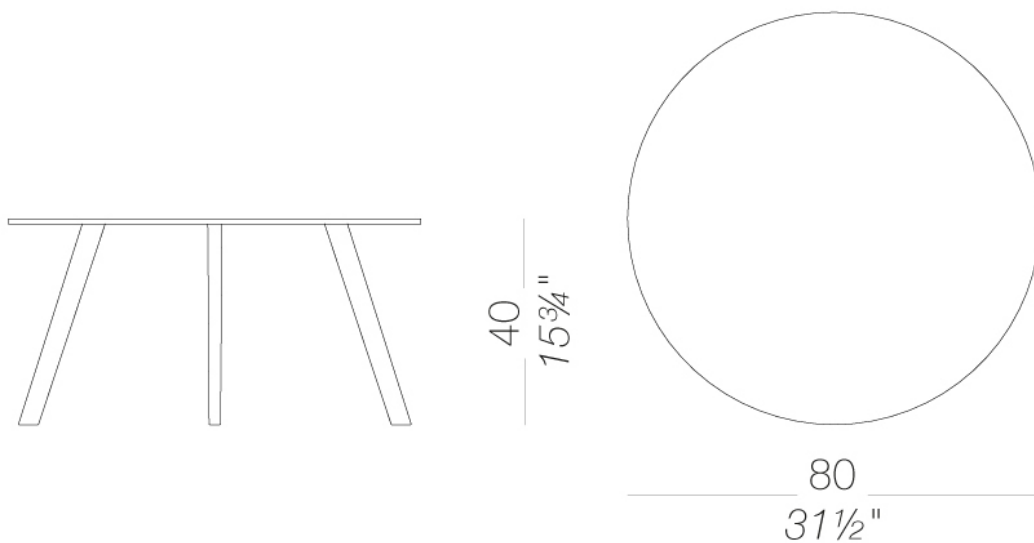


AUKI

Hee Welling | 2015

P19 | Round small table With ash legs Ø80 H.40

Coffee table with natural ash wood legs or black stained open pore. Top in HPL Fenix black or white.

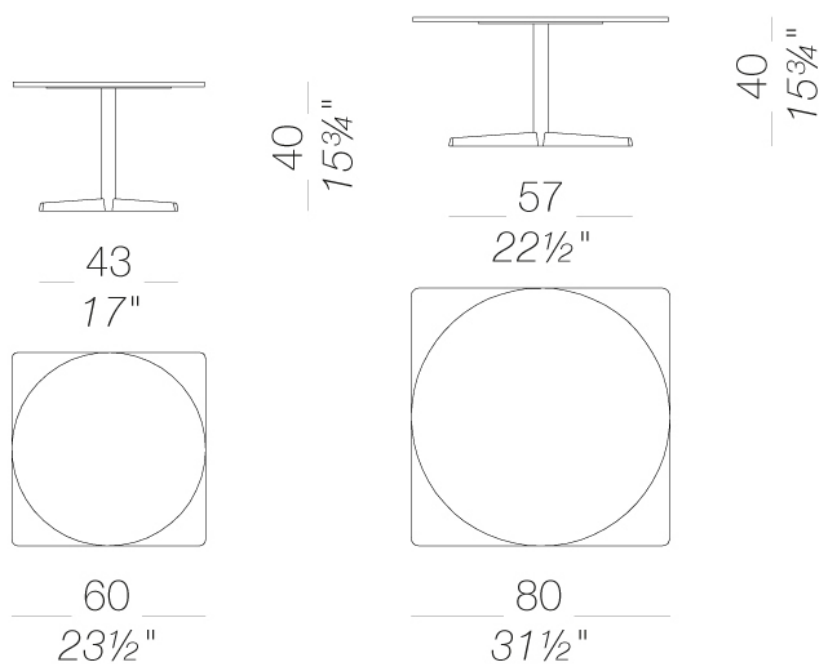


AUKI

Hee Welling | 2015

H40 With star-shaped base Ø60 60x60 | Ø80 80x80

Coffee table with metal legs powder coated or mat chromed. Top in HPL in several finishes and dimensions.

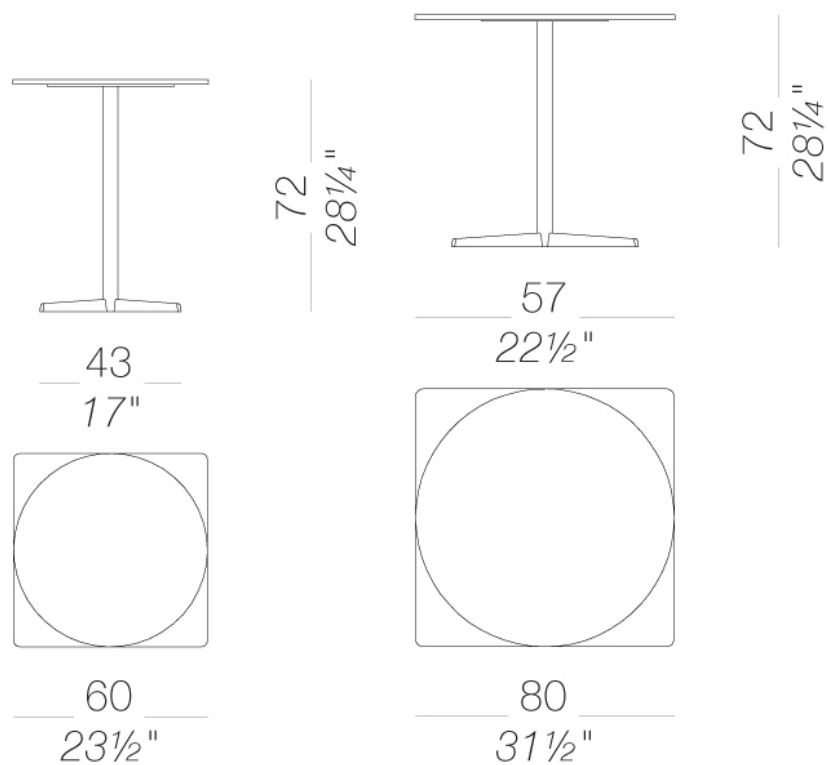


AUKI

Hee Welling | 2015

H72 star-shaped base Ø60 60x60 | Ø80 80x80

Table with 4 star base and metal column, all mat chromed or powder coated. Top in several finishes and dimensions.



AUKI

Hee Welling | 2015

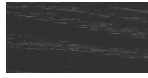
frame



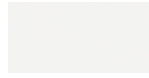
powder coating
black
1 Colors



wood
natural ash
1 Colors



wood
black open pore
1 Colors



powder coating
white
1 Colors



metal
mat chromed
1 Colors

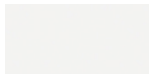


metal
stainless steel
1 Colors

top



HPL 10 mm
HPL fenix
2 Colors



laminate
406 abet 9/10
1 Colors



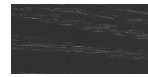
HPL 10 mm
HPL H406
1 Colors



HPL 10 mm
HPL blanched oak
1 Colors



wood
blanched oak
1 Colors



wood
black open pore
1 Colors

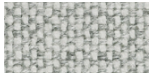


wood
oak dark walnut
1 Colors



lacquered
white lacquered
1 Colors

upholstery



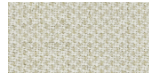
fabric
Hallingdal 65
47 Colors



fabric
Canvas 2
40 Colors



fabric
Steelcut Trio 3
48 Colors



fabric
Clara 2
24 Colors



fabric
Fiord
24 Colors



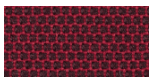
fabric
Divina MD
24 Colors



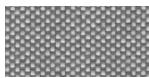
fabric
Divina Melange 2
24 Colors



fabric
Tonica 2
39 Colors



fabric
Swing
24 Colors



fabric
Maya
43 Colors



fabric
Jet
44 Colors



fabric
Laser J Flash
24 Colors



soft-leather
soft-leather
7 Colors



ecoleather
GRIMM FR
24 Colors

consult the portfolio for the range of colors, fabrics, eco-leather, soft-leather.

use and maintenance instructions

Clean all parts in wood, leather, fabric and metal with a damp cloth or a diluted neutral cleaner. Do not use cleaners with alcohol, bleach, solvent or abrasive products. Any liquid spilt on the product must be wiped up immediately. When lifting or moving the product, hold it on the structure and not under the seat. The product should not be subjected to unbalanced weights, as it is designed for a proper rest on the foothold (on four legs or on the base). Our company relieves from any responsibility in case of damage caused to fragile floors. Avoid any improper use of the product: do not step on the product, on the footrest or on the armrests. Avoid any movements that could compromise the proper functionality of the product or the safety of the users. Wood and leather, being natural materials, could be easily damaged. Small impurities or imperfections are within quality standard range. Do not expose the product to weather conditions or atmospheric agents, nor to heat sources over 40°C. Also products for outdoor use could be afflicted by atmospheric agents. The product could undergo possible exterior changes due to particular exposure to heat, humidity and saltiness. An appropriate and frequent maintenance and cleaning of the product enhances its durability. The product could change colour and shade, if exposed to direct sunlight. Maintenance has to be carried out by experienced staff. Dispose of the package only after assembling the product, in order to avoid the loss of ironmongery and components. Once the product has been dismantled, the product itself or its components must be given to the public garbage disposal system, according to the legislation in force.