

AX 511

AX COLLECTION:
AX 511, AX 511A, AX 512, AX 512A, AX 513, AX 514,

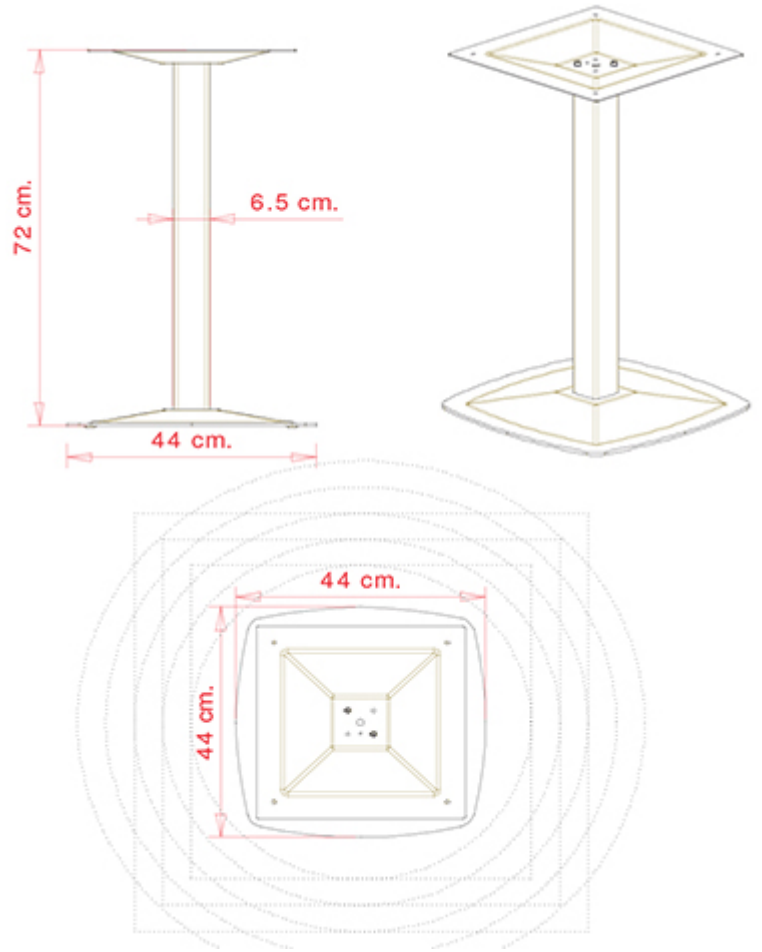


Table frame with moulded steel base and aluminium column.

WEIGHT

13,6 Kg

PACK

0,06 m³

PIECES PER BOX

2

NOTE

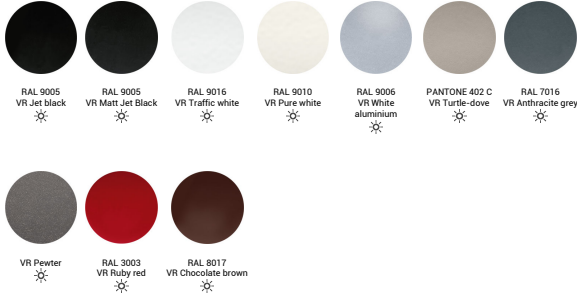
Optional: H 12 mm adjustable feet



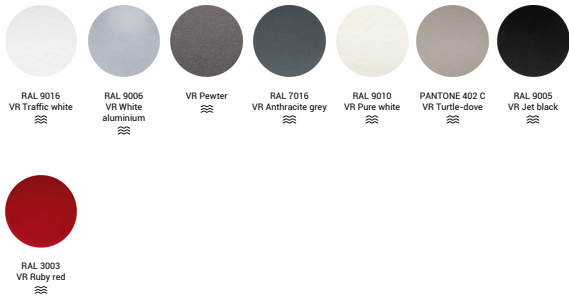
Rdm

FRAMES

AC STEEL



AL VR PAINTED ALUMINIUM



AC STEEL



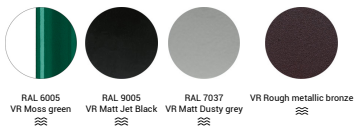
AL VR PAINTED ALUMINIUM



AC STEEL



AL VR PAINTED ALUMINIUM



USES

coffee & restaurants, hotels, educational, entertainment, travel, office and waiting areas, retail, health care, outdoor.