




Wall Clothes Hook Olaf Von Bohr 1972



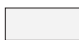



4713

Metallic

XX/chrome	
GG/gold	
RR/copper	



4702

Transparent

70/crystal	
71/orange red	
72/cobalt	
73/citron yellow	

Mat

03/white	
09/black	

		diameter Ø	depth	unit weight kg.
4702		10,5	5	0,120
4713		10,5	5	0,120

Material

Transparent hooks: transparent or batch-dyed polycarbonate

Mat hooks: ABS

Metal hook: Metallic ABS

packaging	quantity	weight kg.	volume m ³	size
4702	2	0.320	0.001	13X10X10
4713	2	0.320	0.001	13X10X10