

STATO B-T/600

Christoph Jenni, 2014

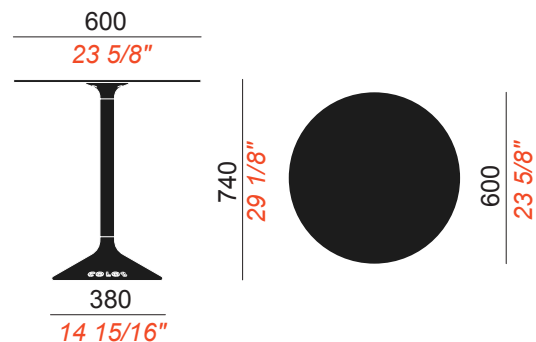
COLOS

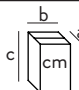
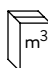

 MADE IN ITALY



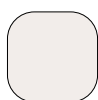
Table with HPL top. Stem in steel tube, cast-iron base, zinc-coated and powder-coated with polyester.
Not stackable.

2D and 3D drawings available at www.colos.it



QUANTITY PER PACKAGE	BOX SIZES 	PACKAGE VOLUME 	PACKAGE WEIGHT 
1 x base	47x32x42	0,1	25
1 x top	5X70X70		
1 x stem	10x10x55		

TOP AND STEM COLORS



WHITE



BLACK

NCS 0500 - N

NSC 9000 - N