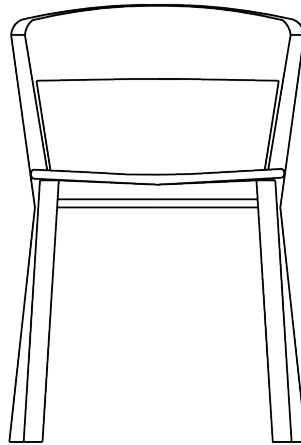


EDITH

DESIGN: MASSIMO BROGLIO



WOODEN SEAT

FRAME AND SEAT IN BEECHWOOD



FRAME AND SEAT IN ASH

PADDED SEAT

FRAME AND SEAT IN BEECHWOOD



FRAME AND SEAT IN ASH

WOODEN SEAT

FRAME AND SEAT IN BEECHWOOD

0070 – LE



DIMENSION		FINISHING		PACKING	
Height	75	Base	Solid Beech	Height	84
Width	46	Seat	Beech Multilayer - Thickness 12 mm	Width	56
Sitting Height	47			Depth	70
Depth:		Version	Stackable	Pieces for Pckg	2
- Seat	43			Gross Weight	12
- Total	55			cu.m.	0.33

FRAME AND SEAT IN ASH

0070 – LE



DIMENSION		FINISHING		PACKING	
Height	75	Base	Solid Ash	Height	84
Width	46	Seat	Ash Multilayer - Thickness 12 mm	Width	56
Sitting Height	47			Depth	70
Depth:		Version	Stackable	Pieces for Pckg	2
- Seat	43			Gross Weight	12
- Total	55			cu.m.	0.33

FRAME AND SEAT IN MASSEL BEECHWOOD

0072 – LE



DIMENSION		FINISHING		PACKING	
Height	75	Base	Solid Beech	Height	84
Width	46	Seat	Solid Beech - Thickness 15 mm	Width	56
Sitting Height	47			Depth	70
Depth:				Pieces for Pckg	2
- Seat	43			Gross Weight	12
- Total	55			cu.m.	0.33

FRAME AND SEAT IN MASSEL ASH

0072 – LE



DIMENSION		FINISHING		PACKING	
Height	75	Base	Solid Ash	Height	84
Width	46	Seat	Solid Ash - Thickness 15 mm	Width	56
Sitting Height	47			Depth	70
Depth:				Pieces for Pckg	2
- Seat	43			Gross Weight	12
- Total	55			cu.m.	0.33

PADDED SEAT

FRAME AND SEAT IN BEECHWOOD

0071 – IMB



DIMENSION		FINISHING		PACKING	
Height	75	Base	Solid Beech	Height	84
Width	46	Seat	Beech Multilayer - Thickness 12 mm	Width	56
Sitting Height	47			Depth	70
Depth:				Pieces for Pckg	2
- Seat	43	Padding Mat.	Multilayer - Thickness 5 mm Foam Rubber - Thickness 1 cm Density ELAST 65 Kg/cu.m. - Fireproof	Gross Weight cu.m.	12 0.33
- Total	55				

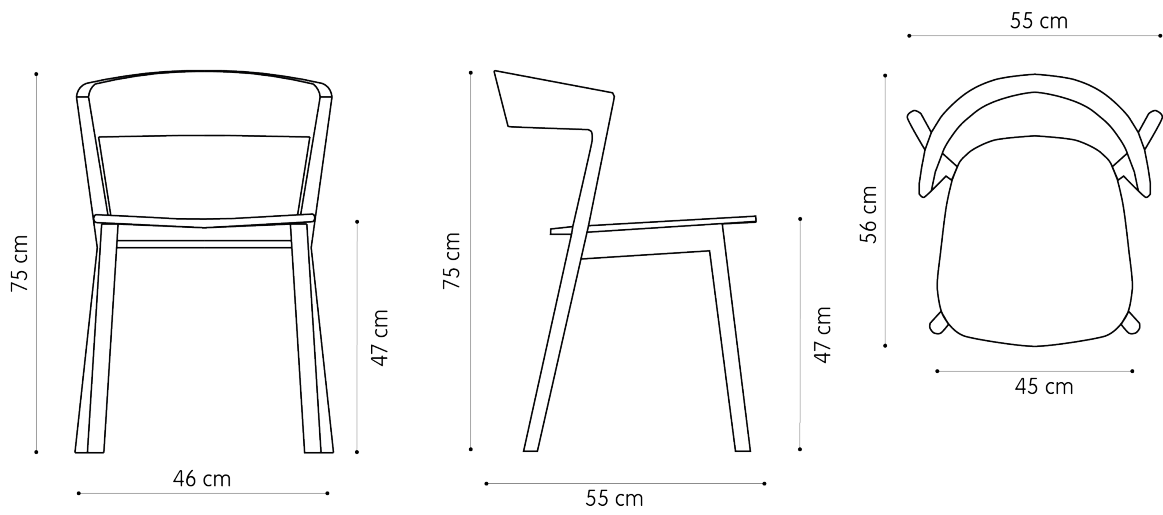
FRAME AND SEAT IN ASH

0071 – IMB

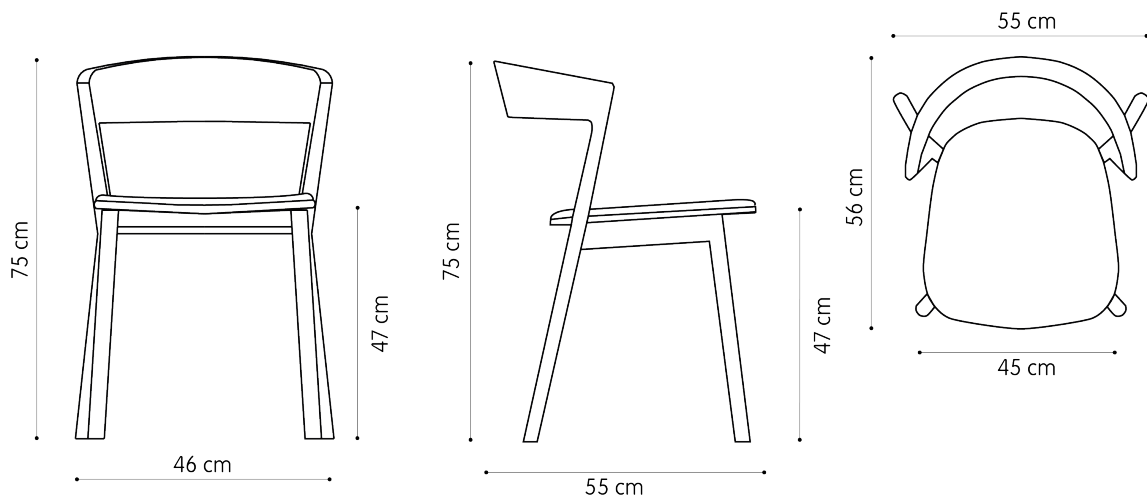


DIMENSION		FINISHING		PACKING	
Height	75	Base	Solid Ash	Height	84
Width	46	Seat	Ash Multilayer - Thickness 12 mm	Width	56
Sitting Height	47			Depth	70
Depth:				Pieces for Pckg	2
- Seat	43	Padding Mat.	Multilayer - Thickness 5 mm Foam Rubber - Thickness 1 cm Density ELAST 65 Kg/cu.m. - Fireproof	Gross Weight cu.m.	12 0.33
- Total	55				

Art. 0070 - 0072



Art. 0071



FINISHINGS

WOOD

Beechwood Bleached 25
Beechwood Tortora 08
Beechwood Mahogany 09
Beechwood Grey10
Beechwood Black Aniline11
Beechwood Walnut 12
Beechwood Wengè 26

LACQUERED BASIC

White RAL 9010
Sand RAL 7044
Black RAL 9011
Tortora RAL 7006
Grey RAL 7010
Dark Brown RAL 8019
Dark Green RAL 6003
Oil Green RAL 6000
Blue Sea RAL 6034
Sage Green RAL 6013

LACQUERED FASHION

Bordeaux RAL 3004
Red RAL 3013
Anthracite Grey RAL 7016
Antique Pink RAL 3012
Pink NCS 1021
Violet RAL 4008
Bluette RAL 5009
Yellow RAL 1003
Brick RAL 3009
Red Pomegranate RAL 3031

COVERINGS

C CATEGORY

JET - Fidivi (100%Trevira)
FOX - Fidivi (100%Trevira)
INCAS - Fidivi (100%Trevira)
SKILL - Flukso (69%PVC - 20%PES - 10%CO - 1%PU)
ALCE - Mam (30%CO - 1%PU - 69%PVC)
TIME - Mam (10%CO - 20%PES - 1%PU - 69%PVC)
PLATINUM - Flukso (82%PVC - 18%PES)

D CATEGORY

FENICE - Pugi (75%Lana - 25%Poliammide)
VEGA VELVET - (Glamour 100%Poliestere)
BUBBLE - Flukso (100%PES)
PIQUANT - Flukso (100%PES)
SALO' - L'interno (55%CO - 21%VI - 10%PL - 9%LI - 5%PC)
MALCESINE - L'interno (52%CO - 23%VI - 17%PL - 8%LI)
BARDOLINO - L'interno (75%CO - 25%PL)
SIRMIONE - L'interno (49%CO - 23%PL - 19%VI - 9%LI)
ASPECT - Camira - (75%Trevira CS - 25%Poliestere)
XTREME - Camira (100%Poliestere Riciclato)
IMPERIA - L'interno (46%CO - 30%VI - 14%LI - 10%PC)

E CATEGORY

SYNERGY - Camira (95%Lana - 5%PL)
TRACK - Camira (100%Trevira CS)
AIDO - Glamour (56%CO - 44%VI)
GULP - Glamour (56%CO - 44%VI)
NOBILI - Velluto - L'interno (100%CO)

F CATEGORY / LEATHER / THICK LEATHER

Pelle Soft - Panama DANI
Pelle Soft Stampa Madras - Box Land DANI
INDIVIDUO - Camira (95%WOOL - 5%PL)

LUXURY

NOBILI trapuntato velluto - L'interno (100%CO)
Pelle soft - Florida Dani
Nabuk - Venere