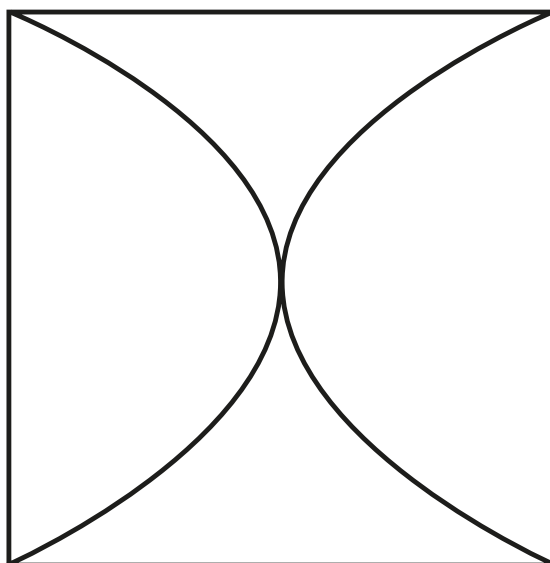


ARIETTE 1

Designed by R. & Tobia Scarpa, 1973

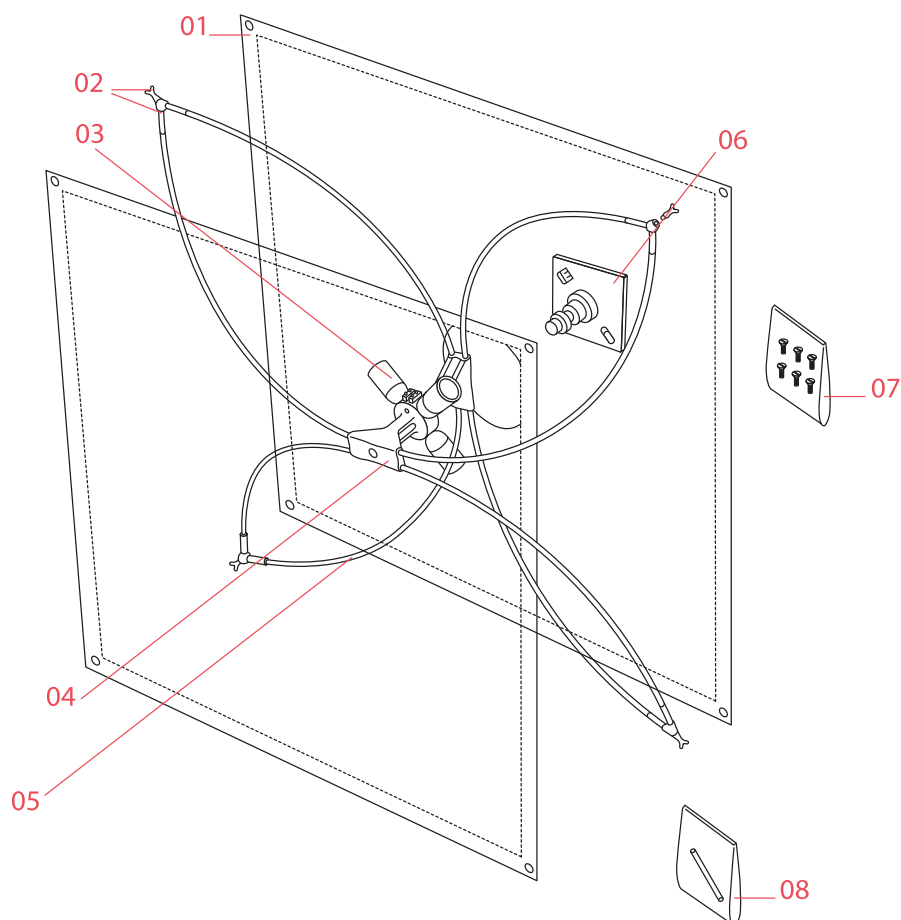
F0400009



ARIETTE 1

F0400009

EN



- 01. RF06110 – Ariette 1 front/rear cloths
- 02. RF0400100 – «V» shape connector
- 03. RF04635 – Lamp holder assembly
- 04. RF05737 – Rod nylon support/6
- 05. RF06088 – Ariette 1 fiberglass rod with rubber tube
- 06. RF05740 – Nylon wall attachment
- 07. RF0400200 – Kit with grub screw & screw for rod support
- 08. RF04828 – Tube for Ariette 1

ARIETTE 1 F0400009

EN

RF06110

ARIETTE FRONT & REAR CLOTHS



WARNING! When installing and whenever acting on the appliance, ensure that the power supply has been switched off.
For the installation of the spare-part, it is necessary to consult a qualified electrician.

©2021 Flos - All rights reserved - www.flos.com

Flos reserves the right to introduce any changes to its own models, without prior notice.

ARIETTE 1 F0400009

EN

RF06110

ARIETTE FRONT & REAR CLOTHS

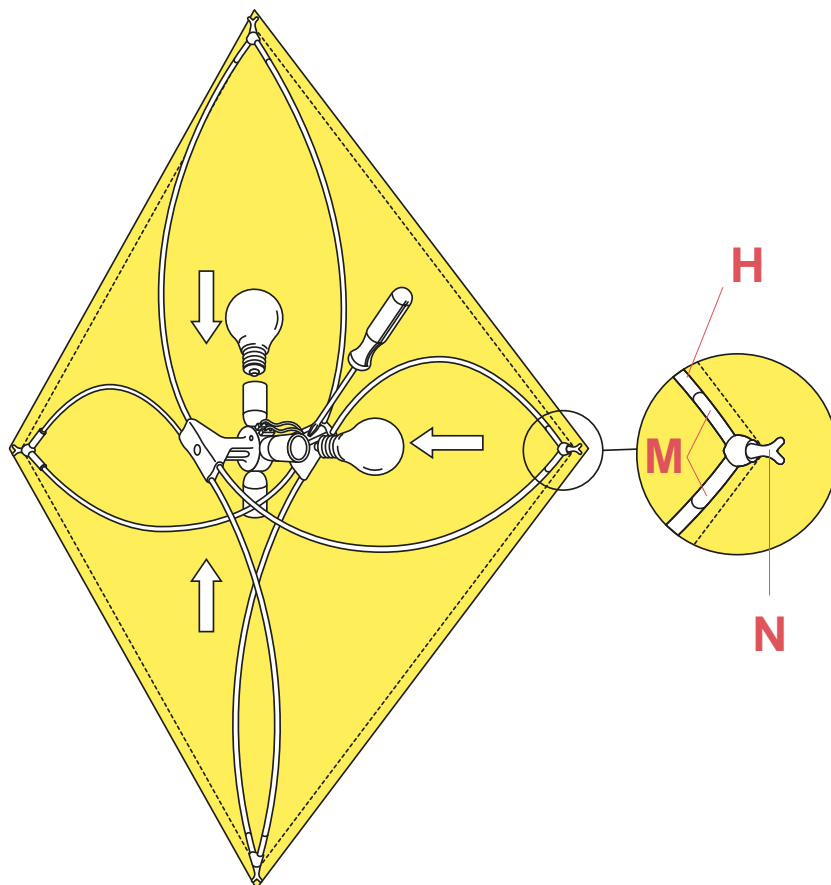


Fig.1

ATTENTION!!! Please be careful when doing this operation.
Insert fiberglass rods (H) in proper holes and join them together with "V" shaped connectors (M).
Attach rear fabric diffuser to the four "V" shaped connectors (N).
Attach front fabric diffuser to the "V" shaped connectors (N) with seams facing inside.

WARNING! When installing and whenever acting on the appliance, ensure that the power supply has been switched off.
For the installation of the spare-part, it is necessary to consult a qualified electrician.

ARIETTE 1 F0400009

EN

RF0400100

FORK WITH PUSH ROD



WARNING! When installing and whenever acting on the appliance, ensure that the power supply has been switched off.
For the installation of the spare-part, it is necessary to consult a qualified electrician.

ARIETTE 1 F0400009

EN

RF0400100

FORK WITH PUSH ROD

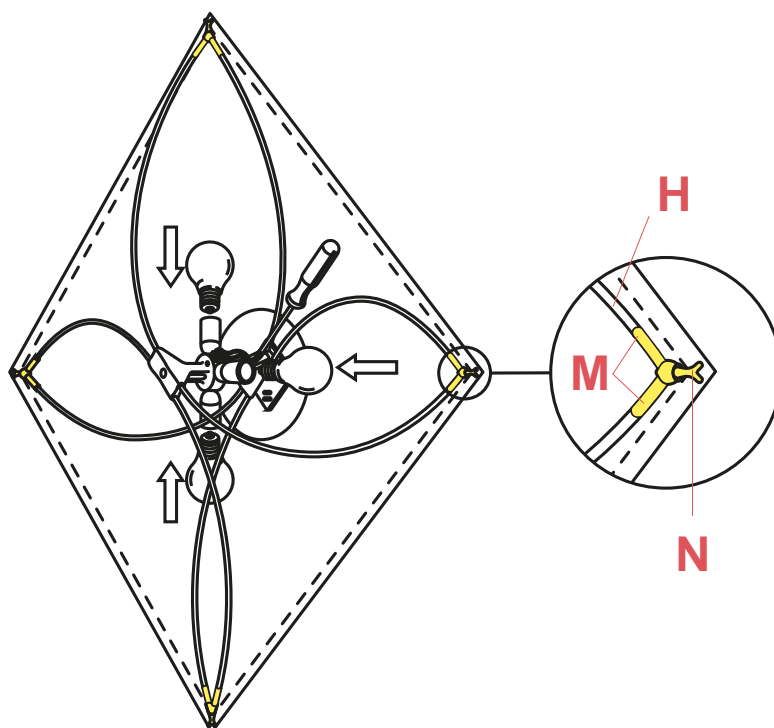


Fig.1

ATTENTION!!! Please be careful when doing this operation.
Insert fiberglass rods (H) in proper holes and join them together with “V” shaped connectors (M).
Attach rear fabric diffuser to the four “V” shaped connectors (N).
Attach front fabric diffuser to the “V” shaped connectors (N) with seams facing inside.

WARNING! When installing and whenever acting on the appliance, ensure that the power supply has been switched off.
For the installation of the spare-part, it is necessary to consult a qualified electrician.

©2021 Flos - All rights reserved - www.flos.com
Flos reserves the right to introduce any changes to its own models, without prior notice.

ARIETTE 1 F0400009

EN

RF04635

LAMP HOLDER ASSEMBLY



WARNING! When installing and whenever acting on the appliance, ensure that the power supply has been switched off.
For the installation of the spare-part, it is necessary to consult a qualified electrician.

ARIETTE 1 F0400009

EN

RF04635

LAMP HOLDER ASSEMBLY

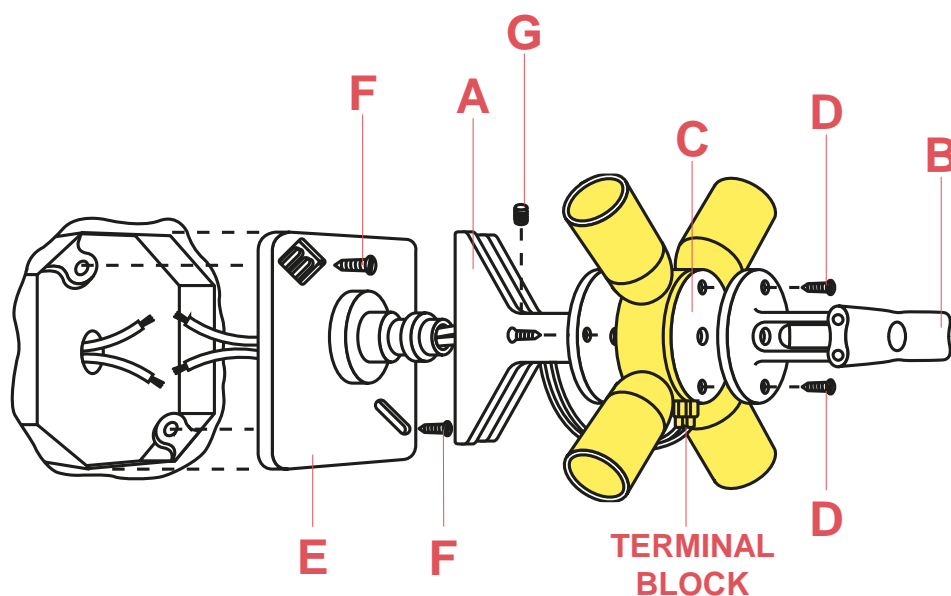


Fig.1

Replace the lamp holder assembly.

Connect the electrical wires to the terminals respecting the polarities (Phase = black, Neutral= white, Earth= green/yellow).

WARNING! When installing and whenever acting on the appliance, ensure that the power supply has been switched off.
For the installation of the spare-part, it is necessary to consult a qualified electrician.

ARIETTE 1 F0400009

EN

RF05737

ROD NYLON SUPPORT/6 ARIETTE 1



WARNING! When installing and whenever acting on the appliance, ensure that the power supply has been switched off.
For the installation of the spare-part, it is necessary to consult a qualified electrician.

ARIETTE 1 F0400009

EN

RF05737

ROD NYLON SUPPORT/6 ARIETTE 1

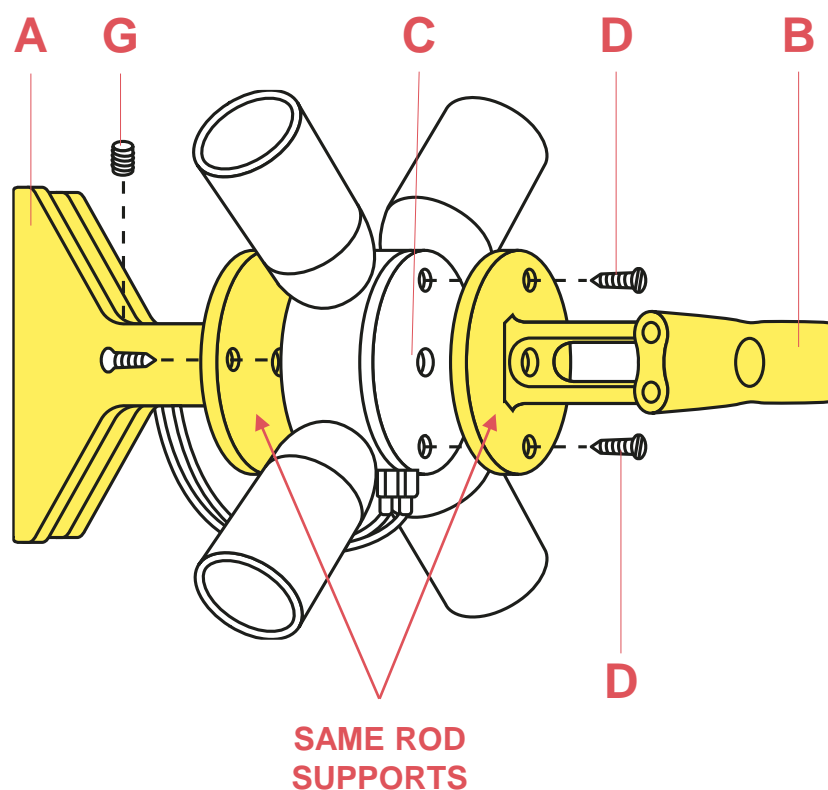


Fig.1

Assemble the rod support to the lamp holder assembly utilizing their opposite screws.

WARNING! When installing and whenever acting on the appliance, ensure that the power supply has been switched off.
For the installation of the spare-part, it is necessary to consult a qualified electrician.

©2021 Flos - All rights reserved - www.flos.com
Flos reserves the right to introduce any changes to its own models, without prior notice.

ARIETTE 1 F0400009

EN

RF06088

FIBERGLASS RODS



WARNING! When installing and whenever acting on the appliance, ensure that the power supply has been switched off.
For the installation of the spare-part, it is necessary to consult a qualified electrician.

ARIETTE 1 F0400009

EN

RF06088

FIBERGLASS RODS

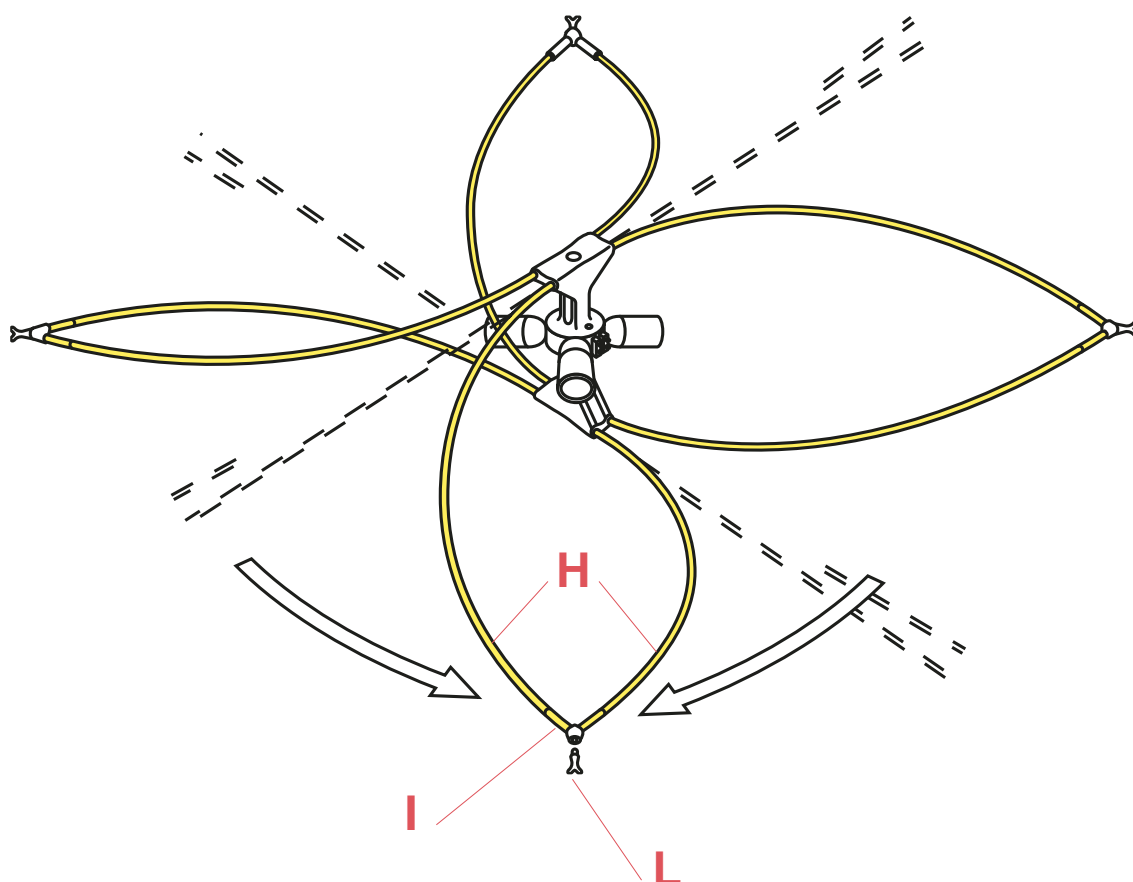


Fig.1

ATTENTION!!! Please be careful when doing this operation.

Connect to the extremities the rods (H) and fix them inserting them well inside the "V" shape connectors (I) and with their relative adjustable forks (L).

WARNING! When installing and whenever acting on the appliance, ensure that the power supply has been switched off.
For the installation of the spare-part, it is necessary to consult a qualified electrician.

©2021 Flos - All rights reserved - www.flos.com
Flos reserves the right to introduce any changes to its own models, without prior notice.

ARIETTE 1 F0400009

EN

RF05740

NYLON WALL ATTACHMENT



WARNING! When installing and whenever acting on the appliance, ensure that the power supply has been switched off.
For the installation of the spare-part, it is necessary to consult a qualified electrician.

ARIETTE 1 F0400009

EN

RF05740

NYLON WALL ATTACHMENT

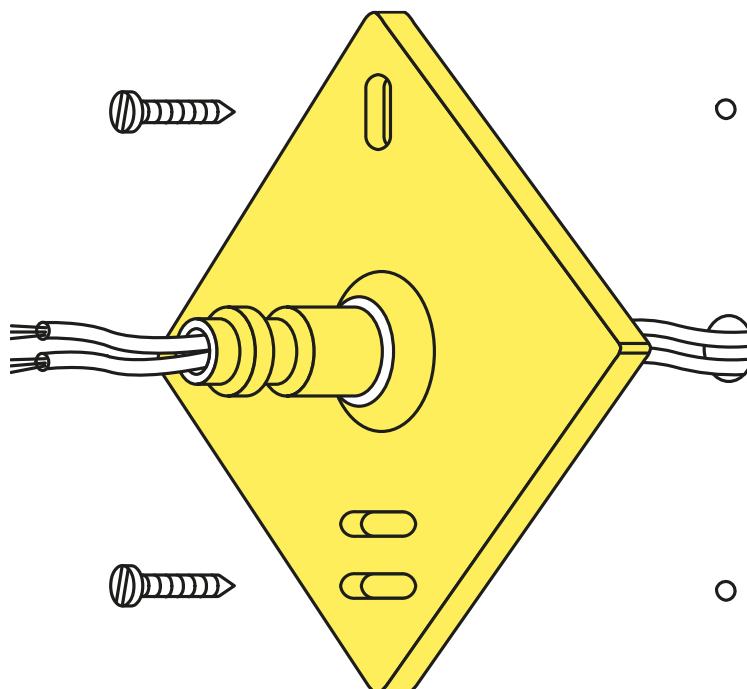


Fig.1

Fix the wall attachment to the wall with screws and expansion plugs taking care to pass the power cables through the central hole;

NOTE: Utilize screws and plugs suitable for the type of installation of the surface where the appliance needs to be installed.

WARNING! When installing and whenever acting on the appliance, ensure that the power supply has been switched off.
For the installation of the spare-part, it is necessary to consult a qualified electrician.

©2021 Flos - All rights reserved - www.flos.com
Flos reserves the right to introduce any changes to its own models, without prior notice.

ARIETTE 1 F0400009

EN

RF0400200

KIT WITH GRUB SCREW & SCREWS FOR ROD SUPPORT



WARNING! When installing and whenever acting on the appliance, ensure that the power supply has been switched off.
For the installation of the spare-part, it is necessary to consult a qualified electrician.

©2021 Flos - All rights reserved - www.flos.com
Flos reserves the right to introduce any changes to its own models, without prior notice.

ARIETTE 1 F0400009

EN

RF0400200

KIT WITH GRUB SCREW & SCREWS FOR ROD SUPPORT

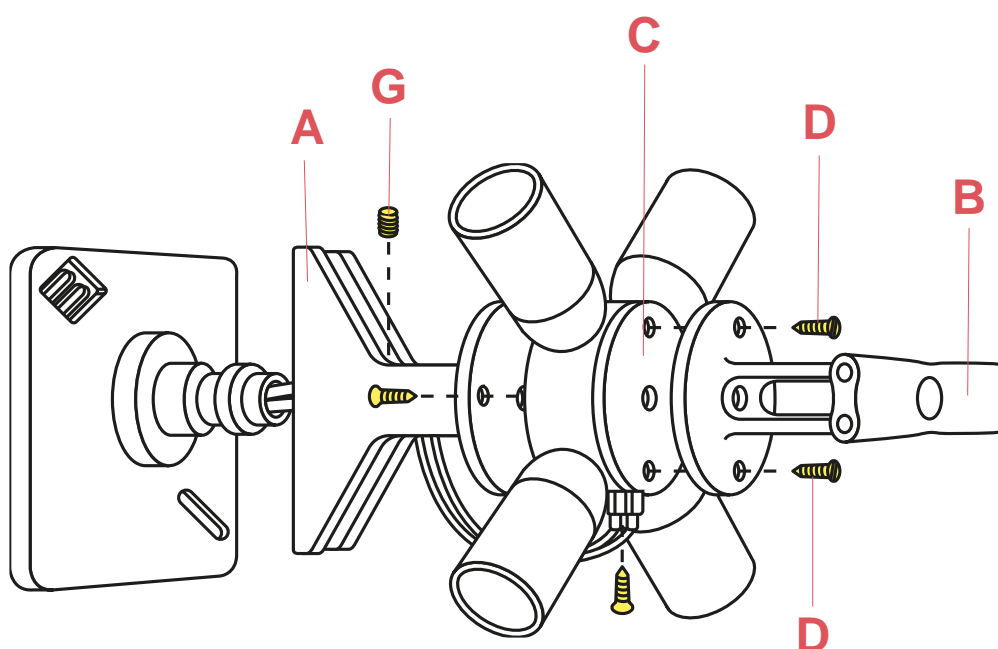


Fig.1

Insert the cable through the hole ceiling attachment (C) and through the cable gland hole (I).

WARNING! When installing and whenever acting on the appliance, ensure that the power supply has been switched off.
For the installation of the spare-part, it is necessary to consult a qualified electrician.

ARIETTE 1 F0400009

EN

RF04828

TUBE FOR ROD ARIETTE 1



The tube (long 50 cm) needs to be cut in pieces of 2,5 cm and then it is necessary to insert 2 tubes at a time on the ends of Ariette 1 rods (refer to the photo below).

WARNING! When installing and whenever acting on the appliance, ensure that the power supply has been switched off.
For the installation of the spare-part, it is necessary to consult a qualified electrician.

©2021 Flos - All rights reserved - www.flos.com

Flos reserves the right to introduce any changes to its own models, without prior notice.