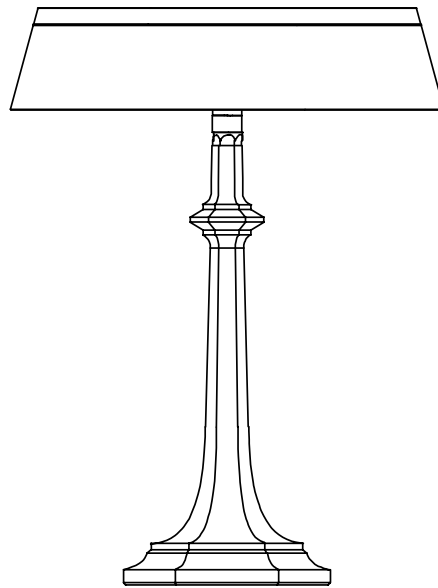


BON JOUR VERSAILLES

Designed by Philippe Starck, 2017

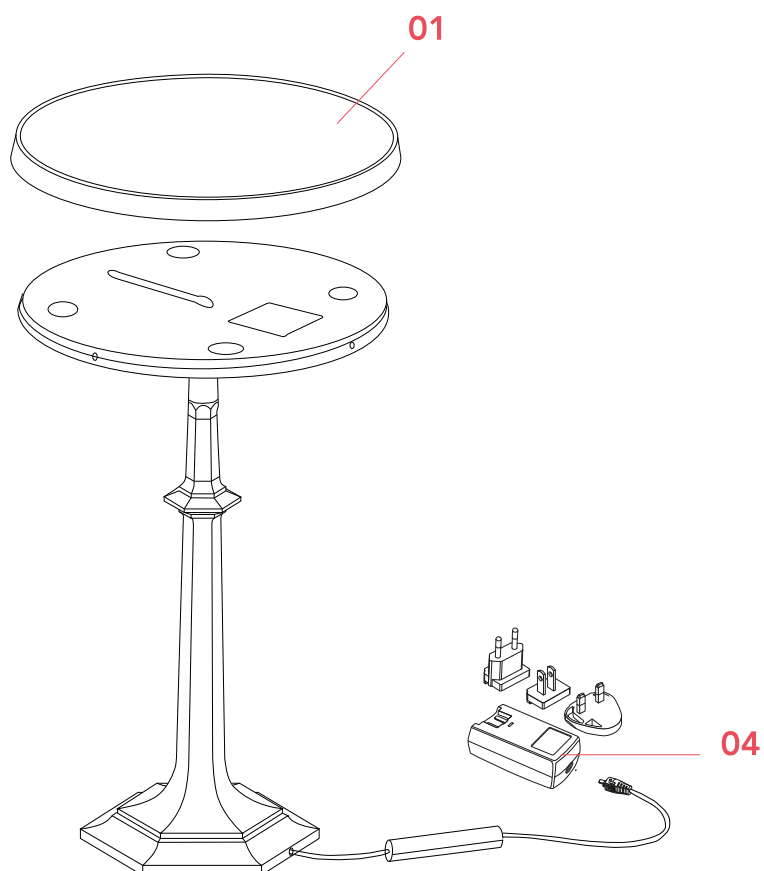
F1041057



BON JOUR VERSAILLES

F1041057

EN



01. F1031057 – Top cover chrome assembly

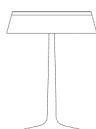
04. RF3320200 – Kit plug + driver spare part

BON JOUR VERSAILLES F1041057

EN

F1031057

TOP COVER CHROME ASSEMBLY



Bon Jour
p.03



Bon Jour
Versailles
p.03

WARNING! When installing and whenever acting on the appliance, ensure that the power supply has been switched off.
For the installation of the spare-part, it is necessary to consult a qualified electrician.

BON JOUR VERSAILLES F1041057

EN

F1031057

TOP COVER CHROME ASSEMBLY

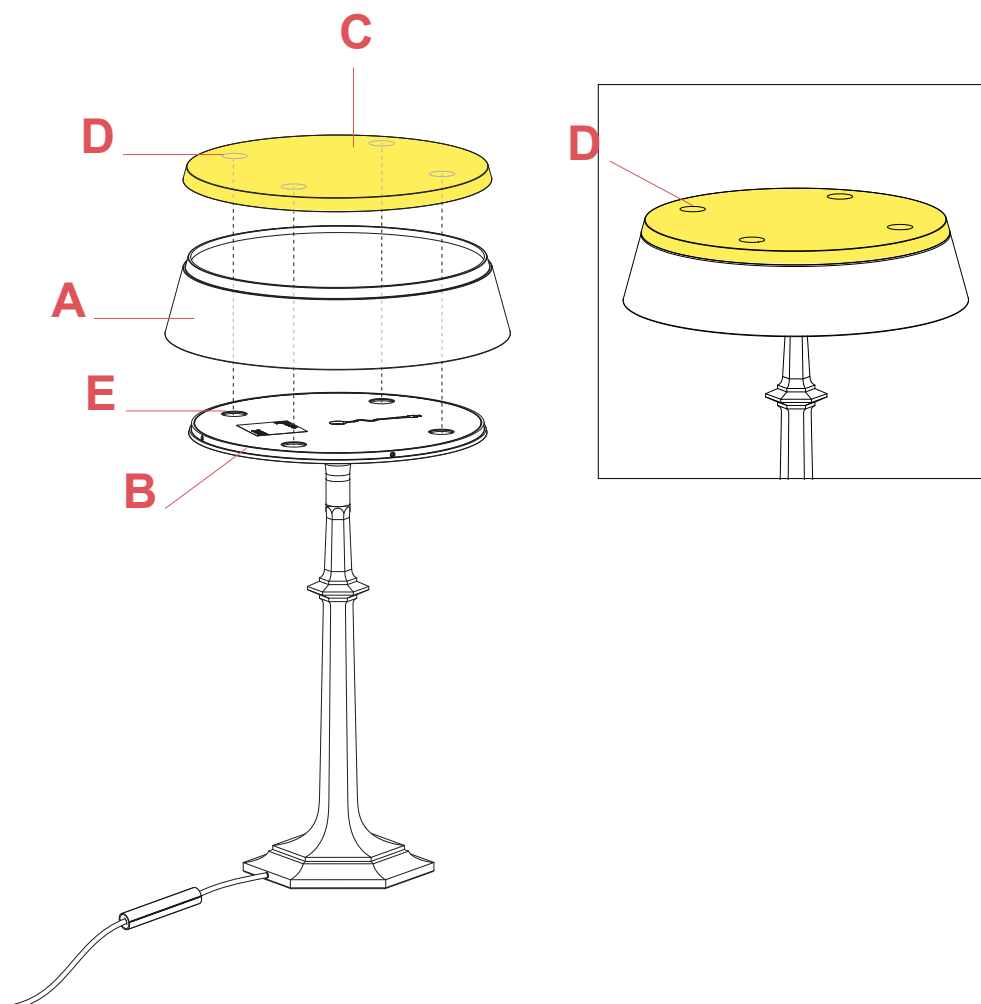


Fig.1

Support the lampshade (A) (Optional, not included) on the device body's profile (B); mount the TOP COVER (C) on the device body making sure you accurately position the four magnet disks (D) in their housings in the body (E) so that the TOP COVER (C) on completion of the assembly uniformly adheres to the body's profile (detail Pic. 1D).

WARNING! When installing and whenever acting on the appliance, ensure that the power supply has been switched off.
For the installation of the spare-part, it is necessary to consult a qualified electrician.

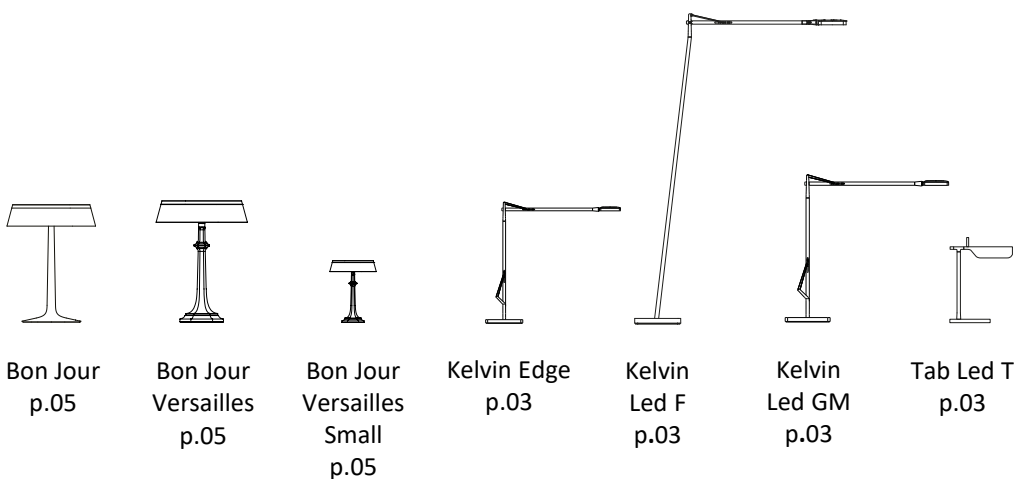
©2021 Flos - All rights reserved - www.flos.com
Flos reserves the right to introduce any changes to its own models, without prior notice.

BON JOUR VERSAILLES F1041057

EN

RF3320200

PLUG KIT + DRIVER SPARE PART



WARNING! When installing and whenever acting on the appliance, ensure that the power supply has been switched off. For the installation of the spare-part, it is necessary to consult a qualified electrician.

BON JOUR VERSAILLES F1041057

EN

RF3320200

PLUG KIT + DRIVER SPARE PART

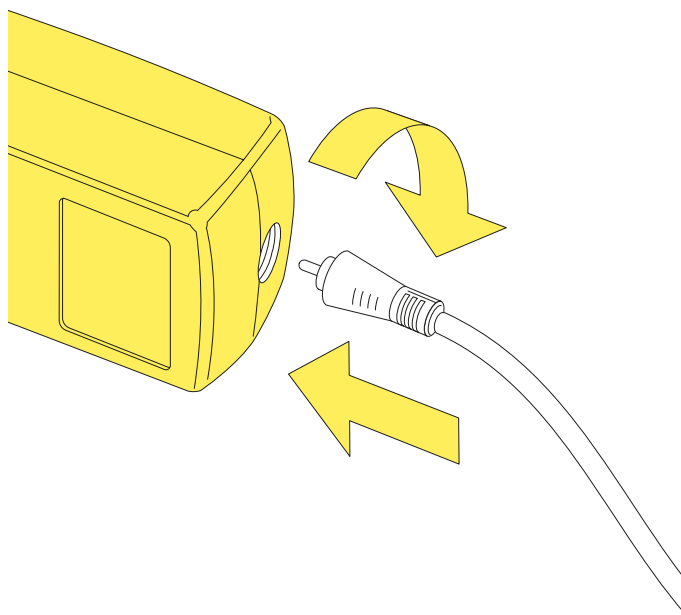


Fig.1

Insert the plug into the driver unit by using the guides snap it inside its apposite slot (use the correct type of plug for the area in which the device must be installed), connect the plug to the feeder unit locking it in by rotating it 90° clockwise.

WARNING! When installing and whenever acting on the appliance, ensure that the power supply has been switched off.
For the installation of the spare-part, it is necessary to consult a qualified electrician.

©2021 Flos - All rights reserved - www.flos.com
Flos reserves the right to introduce any changes to its own models, without prior notice.