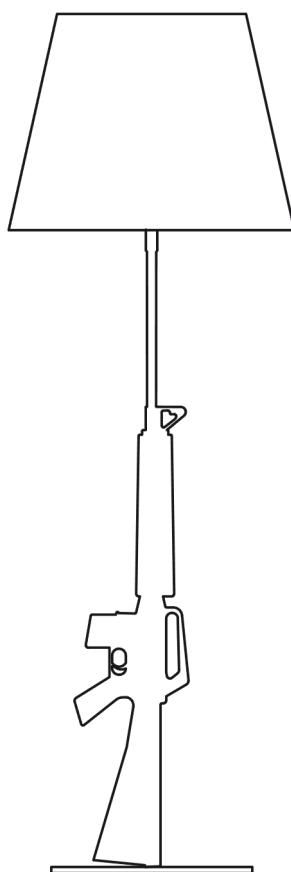


LOUNGE GUN

Designed by R. & Philippe Starck, 2005

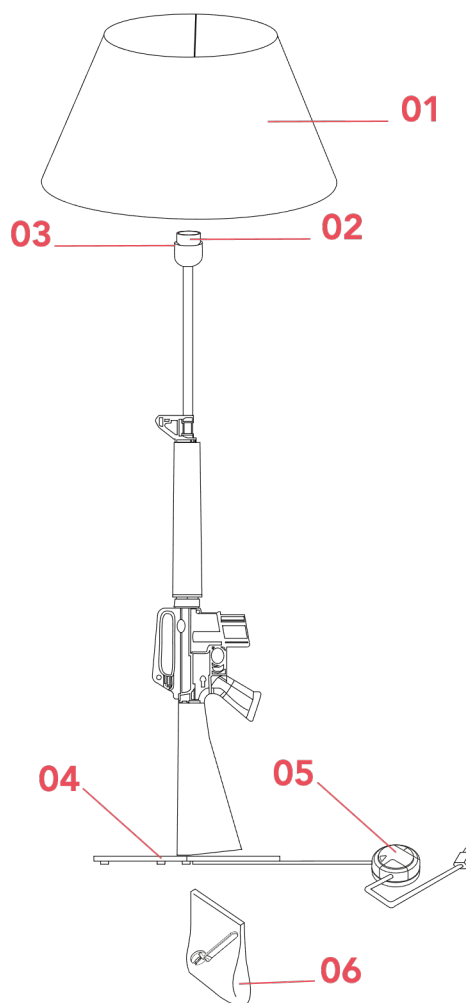
F2955000



LOUNGE GUN

F2955000

EN



- 01. F2965030 – Black diffuser
- 02. RF13750 – Black E27 lamp holder
- 03. RF11919 – Ring nut
- 04. RF27102 – Polished gold base
- 05. RF28045 – Led 220/240V 40-250W 4-100W Rondò dimmer
- 06. RF13905 – Locking key tool

LOUNGE GUN F2955000

EN

F2965030

BLACK DIFFUSER



WARNING! When installing and whenever acting on the appliance, ensure that the power supply has been switched off.
For the installation of the spare-part, it is necessary to consult a qualified electrician.

©2021 Flos - All rights reserved - www.flos.com
Flos reserves the right to introduce any changes to its own models, without prior notice.

LOUNGE GUN F2955000

EN

F2965030

BLACK DIFFUSER

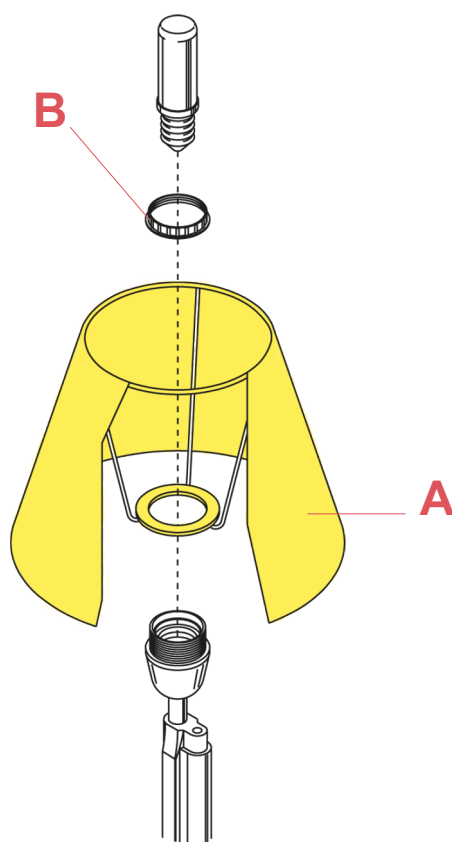


Fig.1

Unfasten-off the lamp-bulb.
Remove the diffuser (A) by unfastening the locking nut (B).

Assemble now the new spare-part:
Position by collocating the diffuser (A) on the body and lock it by fastening
the locking nut (B).
Insert the lamp-bulb.

WARNING! When installing and whenever acting on the appliance, ensure that the power supply has been switched off.
For the installation of the spare-part, it is necessary to consult a qualified electrician.

LOUNGE GUN F2955000

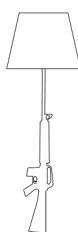
EN

RF13750

BLACK E27 LAMP HOLDER



Bedside
Gun
p.05



Lounge
Gun
p.05

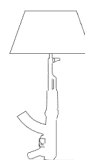


Table
Gun
p.05

WARNING! When installing and whenever acting on the appliance, ensure that the power supply has been switched off.
For the installation of the spare-part, it is necessary to consult a qualified electrician.

LOUNGE GUN F2955000

EN

RF13750

BLACK E27 LAMP HOLDER



Fig.1



Fig.2

By utilizing a tiny flat screw driver, carefully push towards the inside the side spring of the lamp holder in away to free the sleeve of the lamp holder;

WARNING! When installing and whenever acting on the appliance, ensure that the power supply has been switched off. For the installation of the spare-part, it is necessary to consult a qualified electrician.

LOUNGE GUN F2955000

EN

RF13750

BLACK E27 LAMP HOLDER



Fig.3



Fig.4

Unfasten the sleeve from the lamp holder assembly;

WARNING! When installing and whenever acting on the appliance, ensure that the power supply has been switched off. For the installation of the spare-part, it is necessary to consult a qualified electrician.

LOUNGE GUN F2955000

EN

RF13750

BLACK E27 LAMP HOLDER

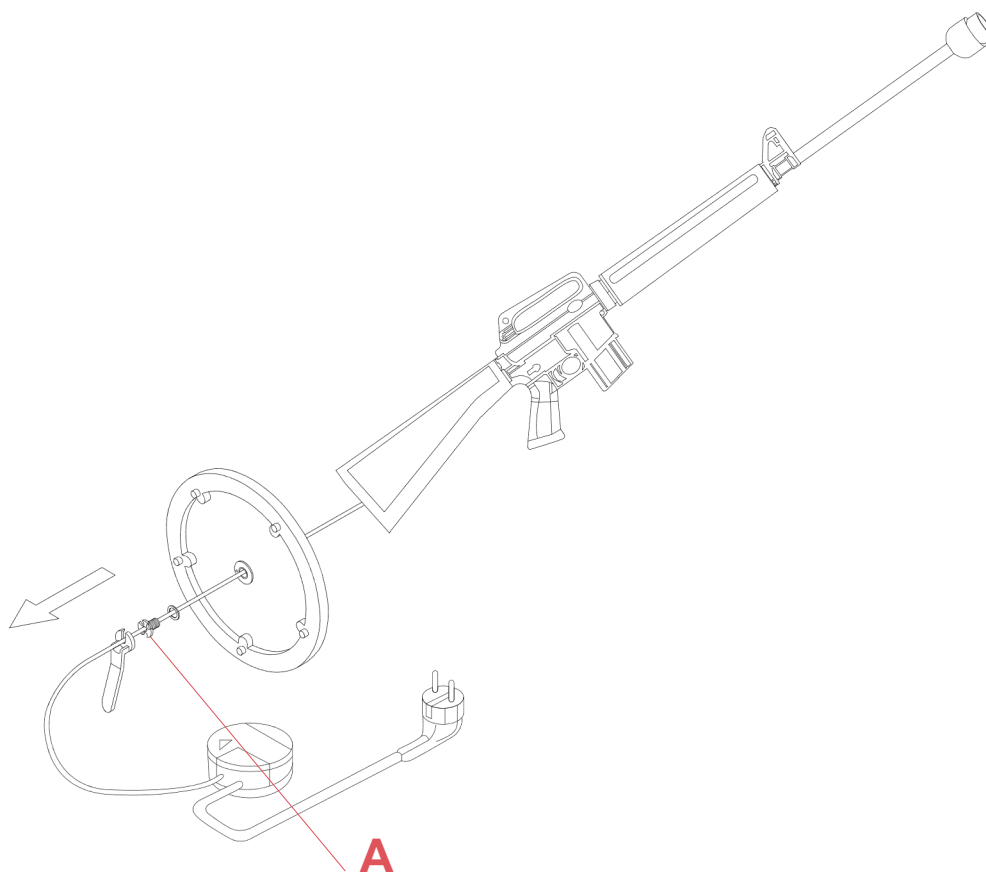


Fig.5

To free the electrical cable, unfasten the locking screw (A) from under the base;

Delicately pull-up the electrical cable to have access to the electrical terminal lamp holder contacts;

Disconnect the wires and free the black lamp holder support by unfastening the screw through a flat tiny screw driver;

Assemble now the new spare-part:

Install the lamp holder support, connect the lamp holder contacts, push down the electrical cable, fasten back the lamp holder sleeve, push back in position the lateral spring and for last, fasten the locking screw under the base.

WARNING! When installing and whenever acting on the appliance, ensure that the power supply has been switched off. For the installation of the spare-part, it is necessary to consult a qualified electrician.

LOUNGE GUN F2955000

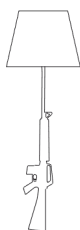
EN

RF11919

RING NUT



Bedside
Gun
p.17



Lounge
Gun
p.09



Table
Gun
p.17



Snoopy
p.15

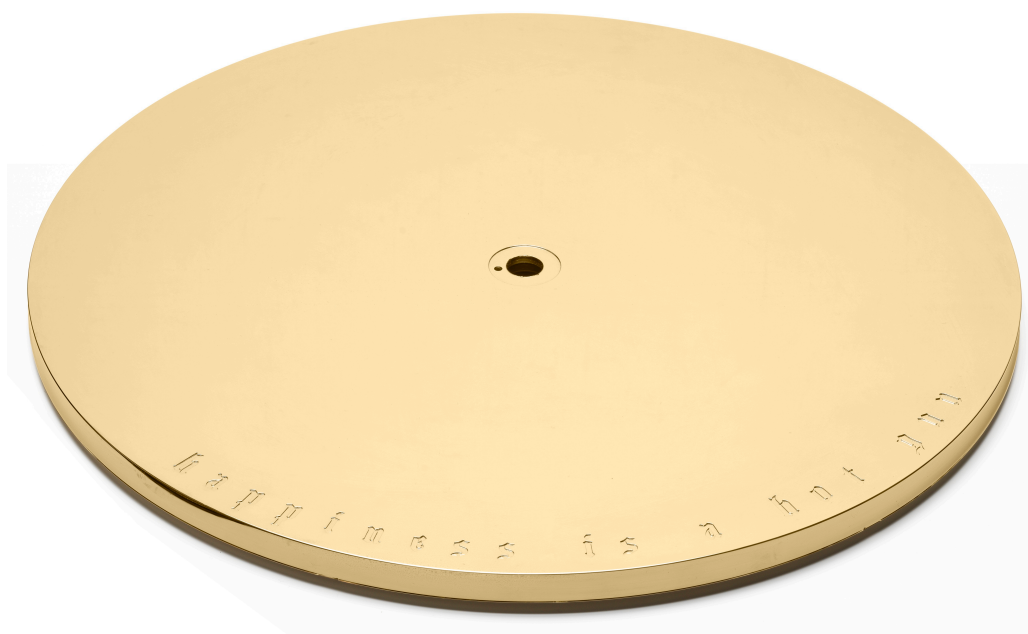
WARNING! When installing and whenever acting on the appliance, ensure that the power supply has been switched off.
For the installation of the spare-part, it is necessary to consult a qualified electrician.

LOUNGE GUN F2955000

EN

RF27102

POLISHED GOLD BASE



WARNING! When installing and whenever acting on the appliance, ensure that the power supply has been switched off.
For the installation of the spare-part, it is necessary to consult a qualified electrician.

LOUNGE GUN F2955000

EN

RF27102

POLISHED GOLD BASE

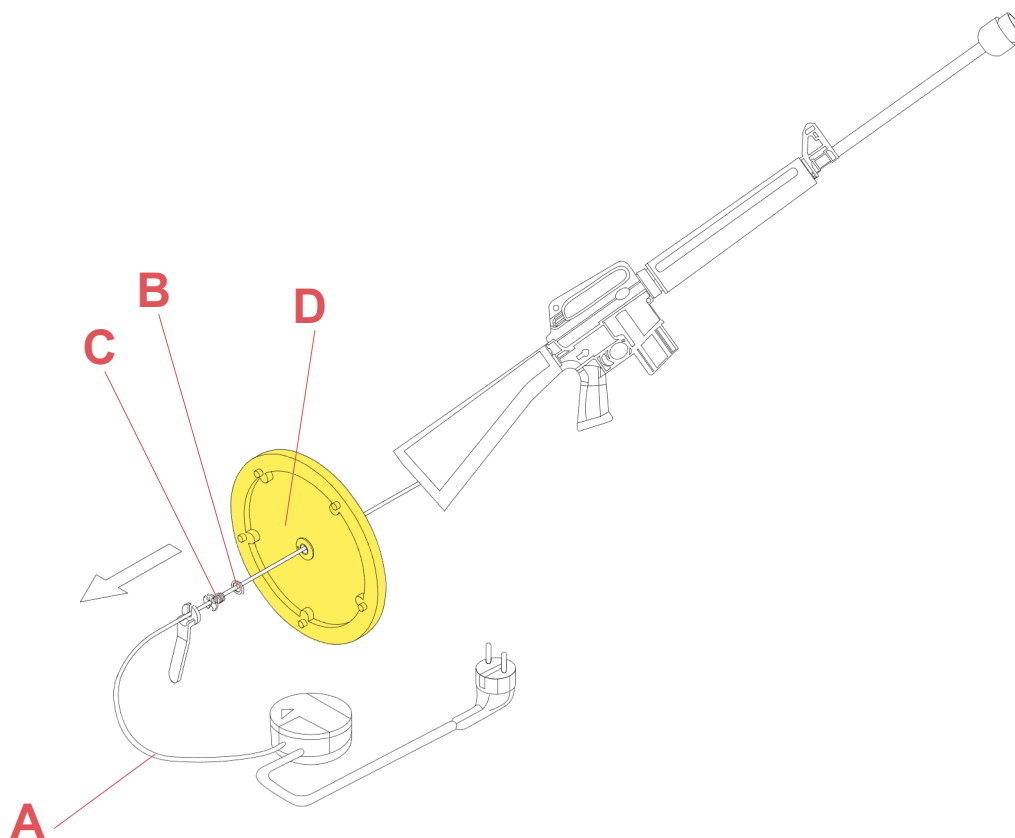


Fig.1

- Disconnect from the dimmer the electrical cable (A) that goes to the lamp structure and free the cable through the cable clamps;
Unfasten the locking screw (C) from the base and slide it out from the electrical cable (A);
Slide out the washer (B) and the damaged base (D);
Slide through the cable (A) the new base (D), following the washer (B) and then the locking screw (C).
Connect the lamp structure electrical cable (A) back to the dimmer and then lock the cable through its opposite cable clamp.

WARNING! When installing and whenever acting on the appliance, ensure that the power supply has been switched off.
For the installation of the spare-part, it is necessary to consult a qualified electrician.

LOUNGE GUN F2955000

EN

RF27102

POLISHED GOLD BASE

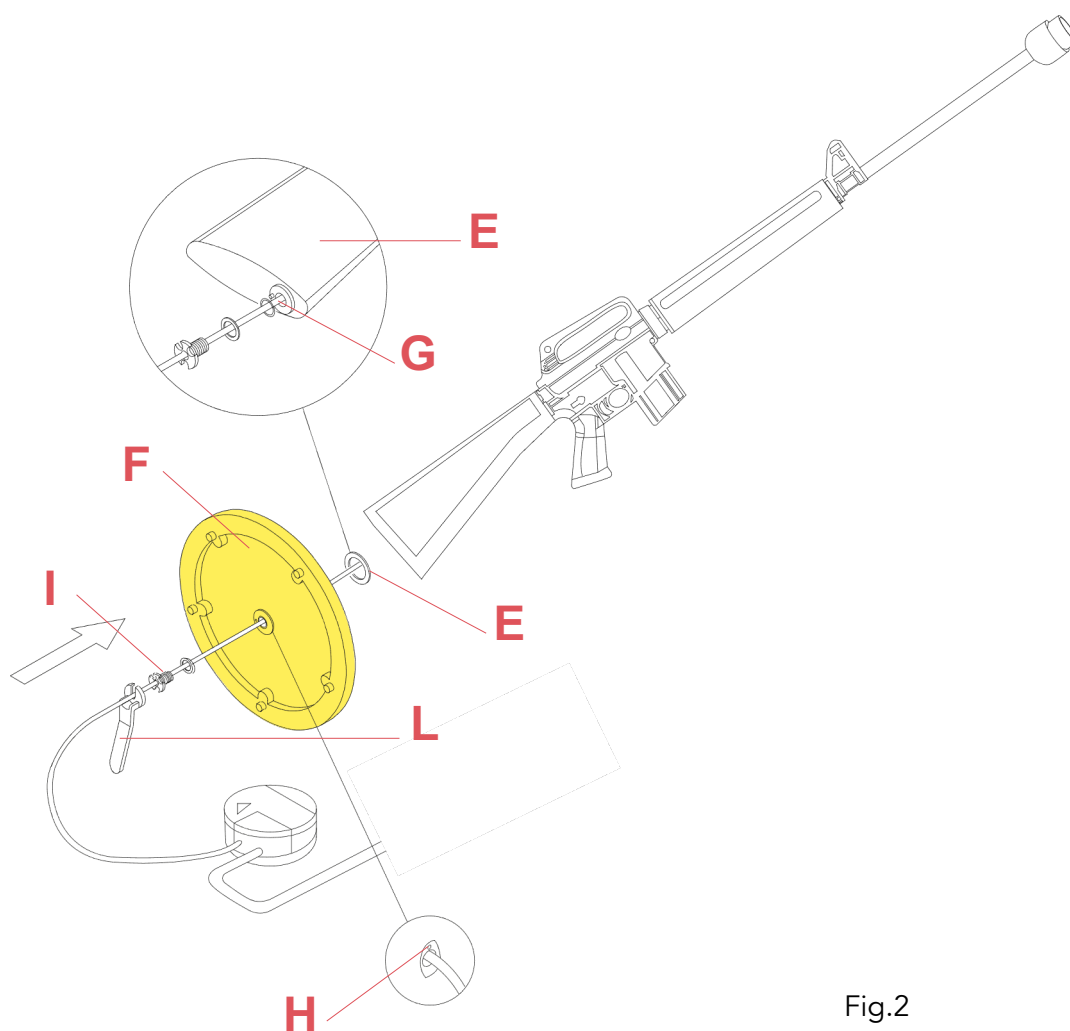


Fig.2

Position the lamp structure (E) on the base (F) ensuring that the safety pin (G) enters in its appropriate hole (H);
Lock the base (F) on to the lamp structure (E) by tightening the locking screw (I) with a tool key (L).

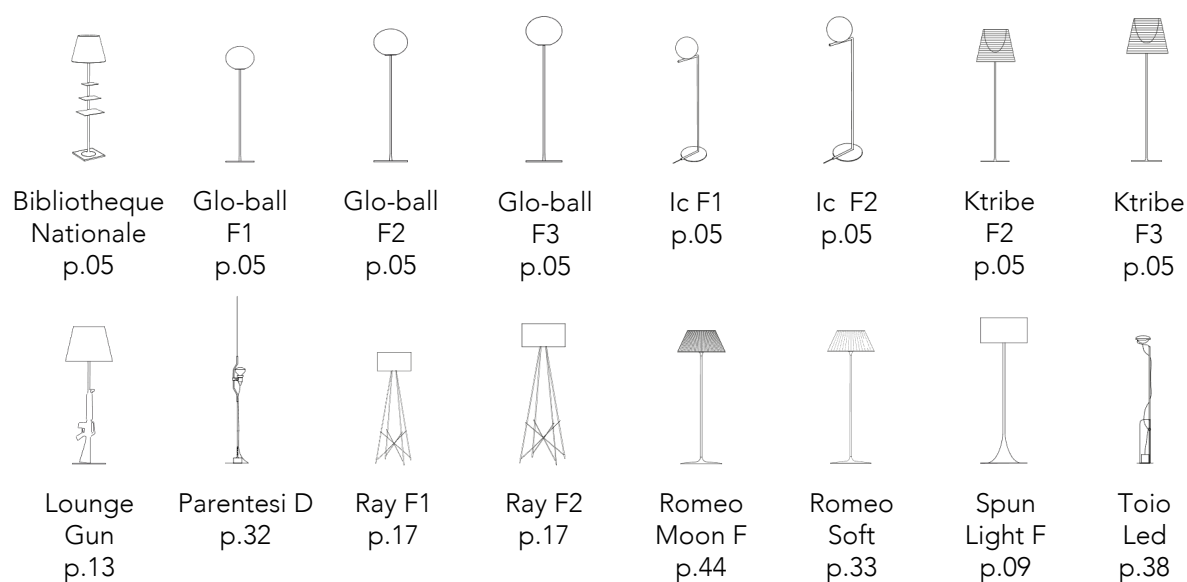
WARNING! When installing and whenever acting on the appliance, ensure that the power supply has been switched off.
For the installation of the spare-part, it is necessary to consult a qualified electrician.

LOUNGE GUN F2955000

EN

RF28045

LED 220/240V 40-250W 4-100W RONDÒ DIMMER



WARNING! When installing and whenever acting on the appliance, ensure that the power supply has been switched off. For the installation of the spare-part, it is necessary to consult a qualified electrician.

RF28045

LED 220/240V 40-250W 4-100W RONDÒ DIMMER



Fig.1



Fig.2

Open the box of the damaged dimmer.

For the opening, it is necessary to remove the rubber pad from underneath the dimmer box (refer to fig.1);

Unfasten the screw that locks the triangle terminal cover (refer to fig.2);

WARNING! When installing and whenever acting on the appliance, ensure that the power supply has been switched off.
For the installation of the spare-part, it is necessary to consult a qualified electrician.

LOUNGE GUN F2955000

EN

RF28045

LED 220/240V 40-250W 4-100W RONDÒ DIMMER



Fig.3



Fig.4

Turn the dimmer box and remove the terminal cover (refer to fig. 3);

Unfasten the three screws of the cable clamps (refer to fig. 4);

WARNING! When installing and whenever acting on the appliance, ensure that the power supply has been switched off. For the installation of the spare-part, it is necessary to consult a qualified electrician.

LOUNGE GUN F2955000

EN

RF28045

LED 220/240V 40-250W 4-100W RONDÒ DIMMER



Fig.5



Fig.6

Remove the cable clamp (refer to fig. 5) and disconnect the cables from the green terminal box (refer to fig. 6).

Assemble now the new dimmer:

Connect the cables respecting the polarities, lock the wires by positioning the cable clamp and then fasten the three screws, cover the green terminal box with the triangle cover, turn the dimmer box, fasten the screw and stick-on the rubber pads.

WARNING! When installing and whenever acting on the appliance, ensure that the power supply has been switched off. For the installation of the spare-part, it is necessary to consult a qualified electrician.

LOUNGE GUN F2955000

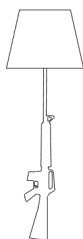
EN

RF13905

LOCKING KEY TOOL



Bedside
Gun
p.15



Lounge
Gun
p.17



Tab led
F
p.05

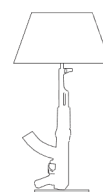


Table
Gun
p.15

WARNING! When installing and whenever acting on the appliance, ensure that the power supply has been switched off. For the installation of the spare-part, it is necessary to consult a qualified electrician.

LOUNGE GUN F2955000

EN

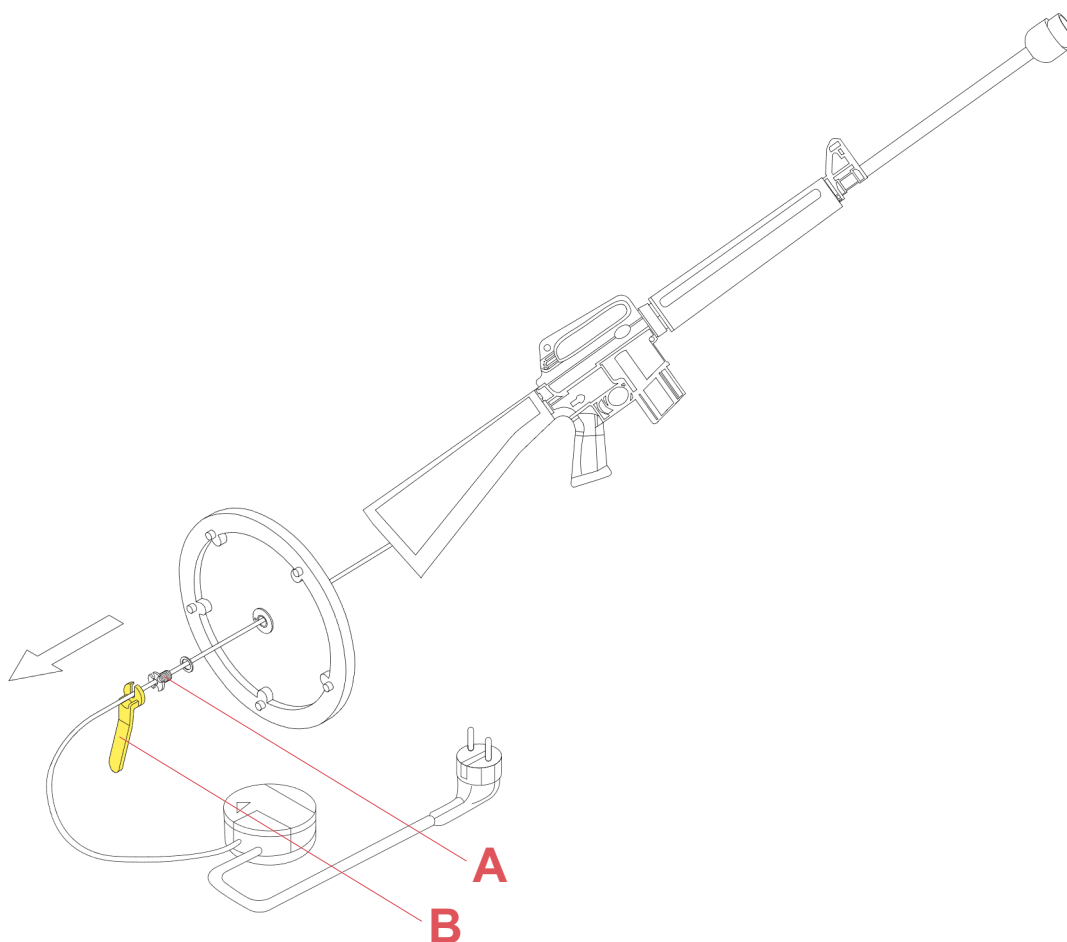
RF13905
LOCKING KEY TOOL

Fig.1

Fasten the screw (A) by utilizing the key (B).

WARNING! When installing and whenever acting on the appliance, ensure that the power supply has been switched off.
For the installation of the spare-part, it is necessary to consult a qualified electrician.

©2021 Flos - All rights reserved - www.flos.com
Flos reserves the right to introduce any changes to its own models, without prior notice.