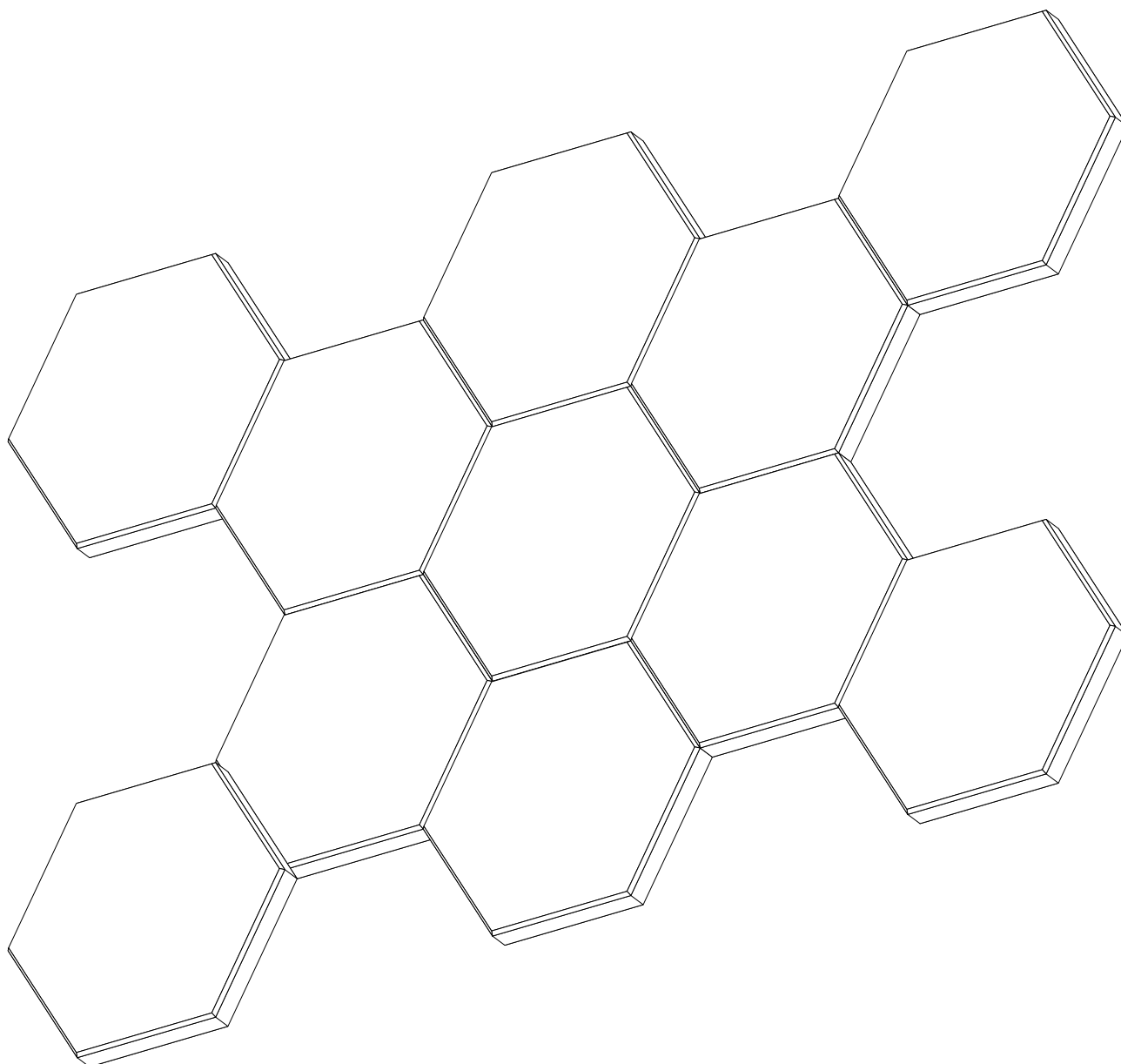


FLUFFO

FLUFFO SOFT acoustic wall panels mounting instructions



**Thank you for choosing
FLUFFO SOFT acoustic wall panels.**

Their installation is simple, fast and clean.
You can do it yourself easily, just follow these instructions.

Should you need our help
at any stage of assembly please call:

www.fluffo.pl

+48 502 552 392

DIRECTIONS FOR USE:



The panels should not be exposed to direct, intense sunlight. After some time in such conditions colours might fade and discolorations may appear.



The panels should be installed away from open flames, sparks and other heat sources e.g. electric heaters.



The panels should not be installed in places with high humidity due to the absorptive nature of the foam they are made of.



The foam from which the panels are made may react with strong oxidizing agents (strong acids).



Be careful not to damage the panels with sharp objects, edges or corners of furniture.



Avoid staining the panels.



The panels should be installed out of reach of pets - the foam is not intended for consumption.

CLEANING AND CARE INSTRUCTIONS:



The Fluffo finish covering our panels is anti-static and does not attract dust. However, dust may still settle on the panels, just like on any furniture. In order to remove dust use a brush with soft bristles or a vacuum cleaner with a standard tip for cleaning upholstered furniture.



Lightweight stains can be removed with a soft sponge slightly moistened with diluted detergent. When cleaning please wipe the whole panel surface, so that you don't leave rubbing traces in one spot. In extreme case, when the stain penetrated deep into the panel and is still visible despite the cleaning, the dirty panel can be easily replaced with a new one.



The panels can also be refreshed. First vacuum the panels thoroughly and then spray them with a water mist. Wait 2 minutes and wipe them with a dry sponge.



Be sure not to over rub the panel surface with a wet sponge and avoid strong detergents, such as bleach or washing powder.

The above information is based on our best knowledge, and serves only as a guideline. We are always happy to provide information and technical advice regarding our products. We reserve the right to make changes in our offer at any time. It is up to the customer to make sure that our panels' technical characteristics fit the purpose set by the customer. We will not take responsibility for the consequences resulting from non-compliance with our recommendations.

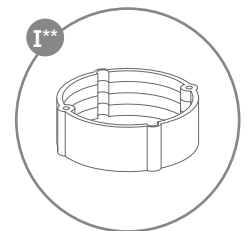
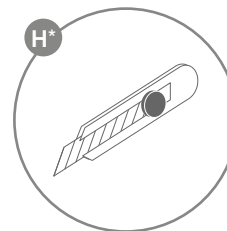
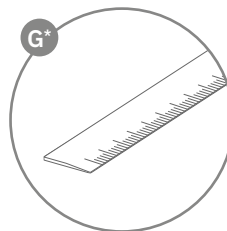
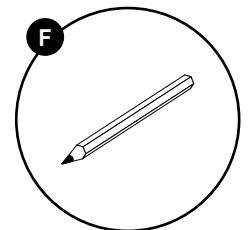
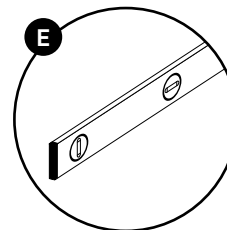
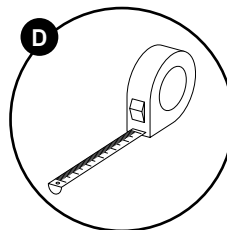
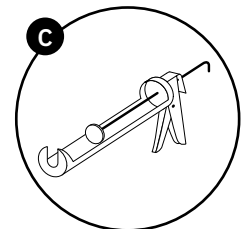
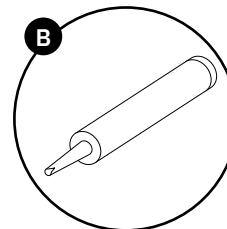
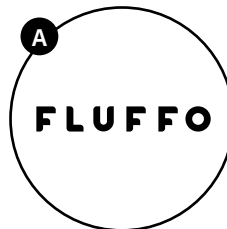
1 Preparation

Prepare:

- A** Fluffo Soft panels
- B** Fluffo Fix mounting adhesive
- C** Cartridge applicator gun
- D** Measuring tape
- E** Bubble level
- F** Pencil
- G*** Metal ruler
- H*** Carpet knife
- I**** Distance for electrical box

* when you need to cut a panel

** when there is a need to mount an electric socket or a light switch on the panel



Should you need our help
at any stage of assembly please call:

+48 502 552 392

2 Designation of the starting lines

ATTENTION! Make sure that the wall is even, clean and dust free. Check if the plaster is durable and does not fall off. You do not need to prepare the wall in any special way – Fluffo FIX adhesive contains a primer that will penetrate any type of wall.

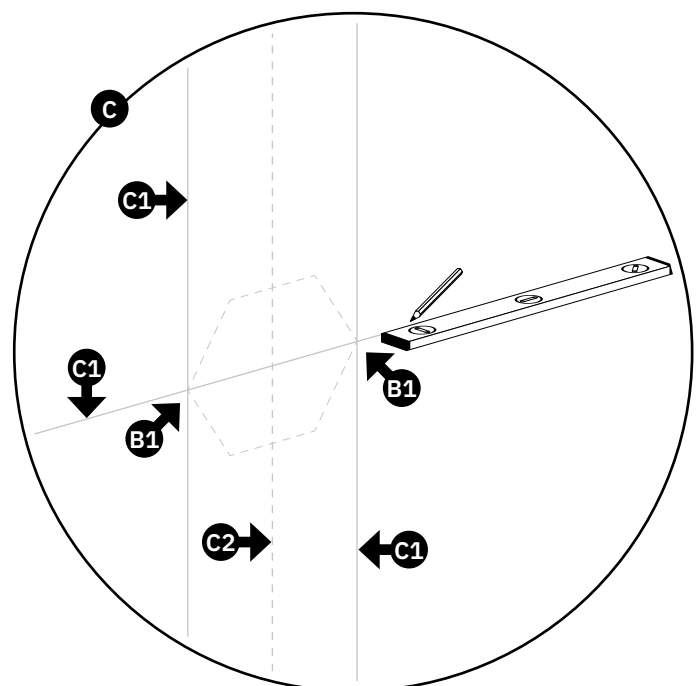
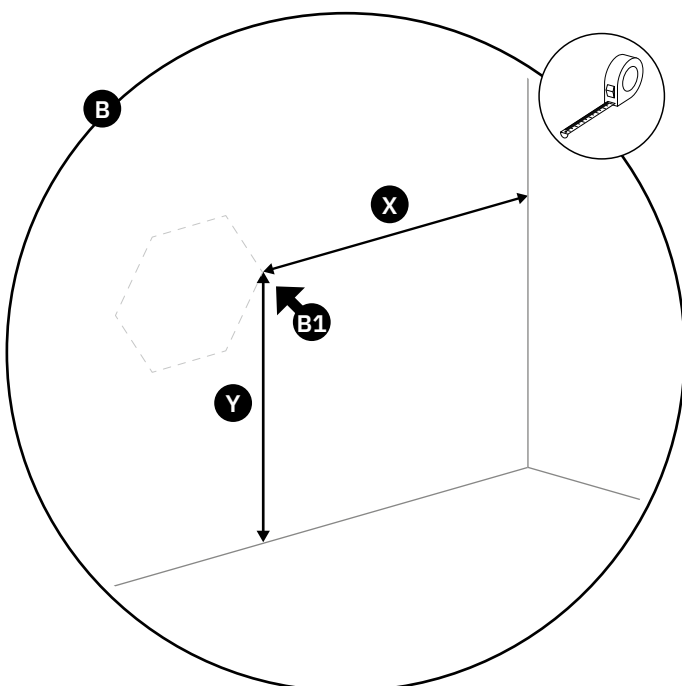
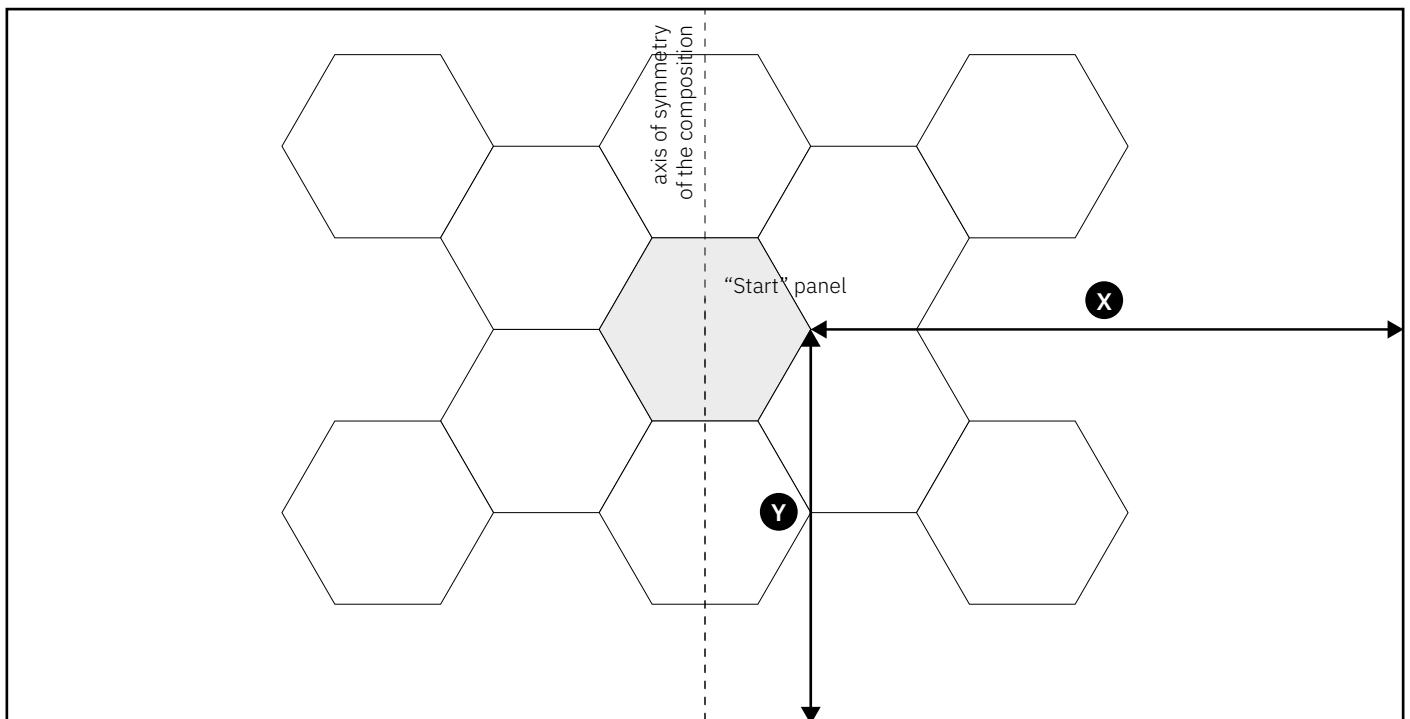
A Select the start panel (**A1**) on the composition design and read its location (**X**, **Y**).

ATTENTION! If you do not have a composition design, please contact us, we will prepare one for you at no extra charge.

B Transfer the dimensions to the wall and mark the installation point of the “start” panel (corner / corners – **B1**). Start assembling the panels from this point.

C To maintain the vertical and horizontal alignment of the panels in the composition, we recommend that you gently draw guide lines with a pencil, which will be the extension of the “start” panel mounting point (**C1**). The guide lines should be measured parallel to the walls, ceiling or the floor.

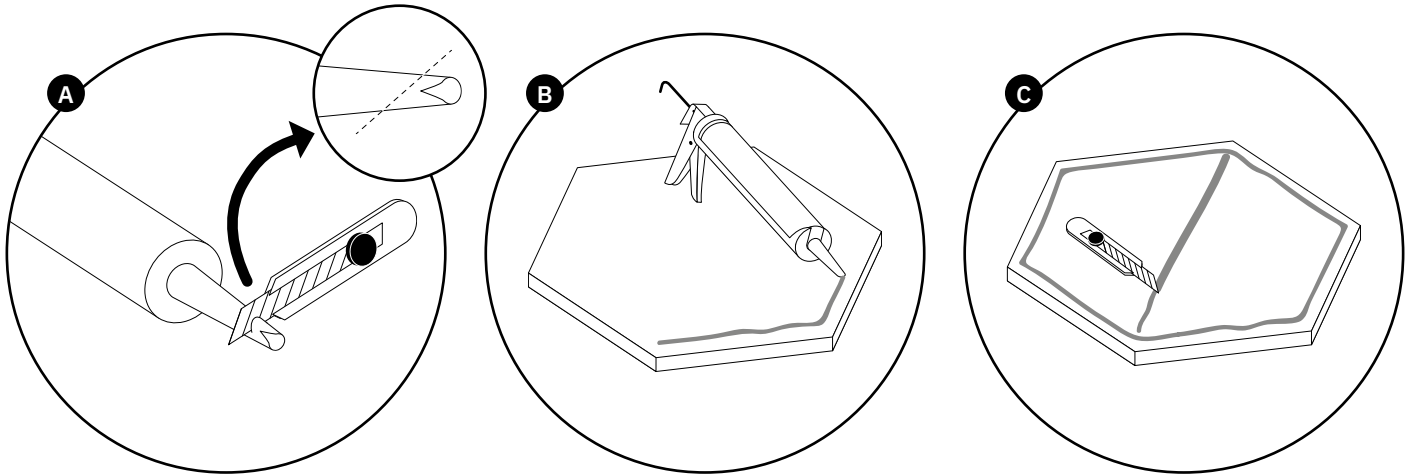
ATTENTION! Should the panel composition be symmetric, draw a line marking the axis of symmetry of the composition (**C2**).



3 Application of the adhesive

ATTENTION! The adhesive should be at room temperature.

- A** Cut the original cartridge applicator at an angle, 2 cm from its tip. This will allow for a wide strip of adhesive.
- B** To apply the adhesive to the panel press the tip of the applicator to it and slowly move it along the surface simultaneously extruding the adhesive.
- C** Apply a thin strip of adhesive to the contour of the panel, c.a. 0,5 – 1 cm from its edge. Additionally, especially on a larger panel put a strip of adhesive in the middle. Should the layer of the adhesive be too thick, distribute it with a spatula or a carpet knife. This is important especially when the composition consists of uniform thickness panels.



ATTENTION! Avoid staining the surface of the panel with the adhesive. Should you get some glue on the panel gently remove it with the tip of the carpet knife or a sponge. Do not smear the glue! Do not allow for the adhesive to dry – scraping it off may damage the panel surface. It is not recommended to glue the panels to one another.

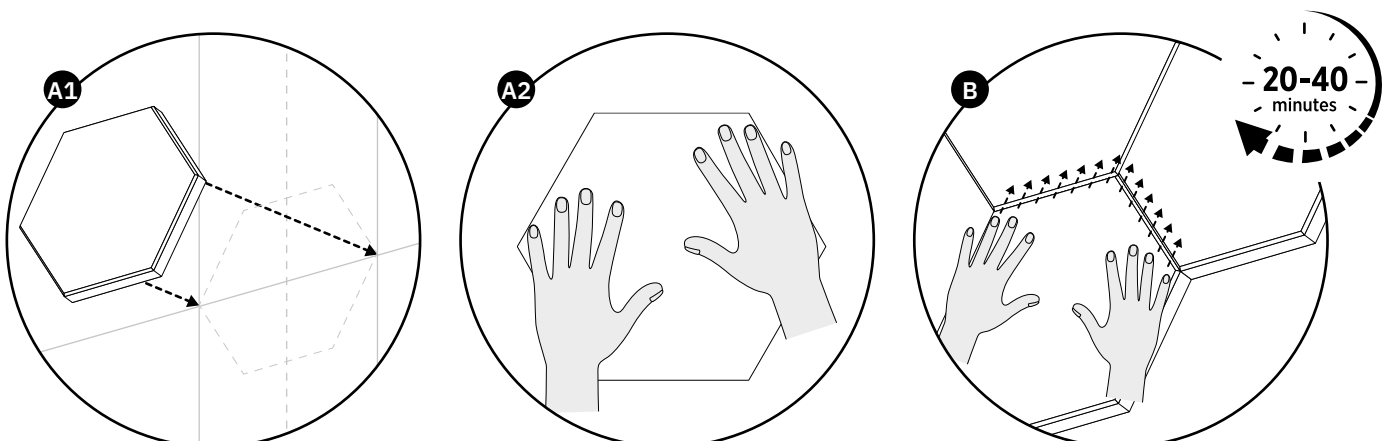
4 Installation of panels and fit adjustment

- A** Place the “start” panel on the wall (**A1**), then apply light pressure to the surface of the panel with your hands in places where the adhesive was used (**A2**).

ATTENTION! The adhesive has a strong initial bonding, thus Fluffo panels will not fall off the wall during the installation. Install the panels one by one. Be careful not to stain the wall with the adhesive in places that later will not be covered by panels.

- B** In order to adjust the fit, firmly press the panel with your hands and slide the edges of the panels together so that there are no gaps between them.

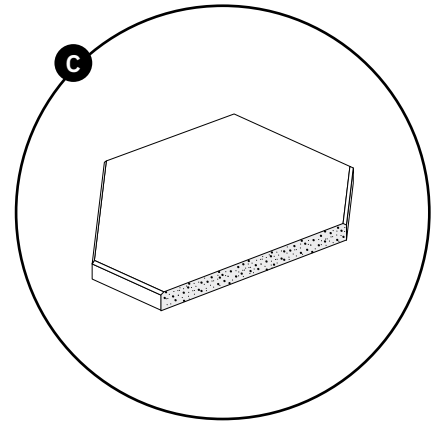
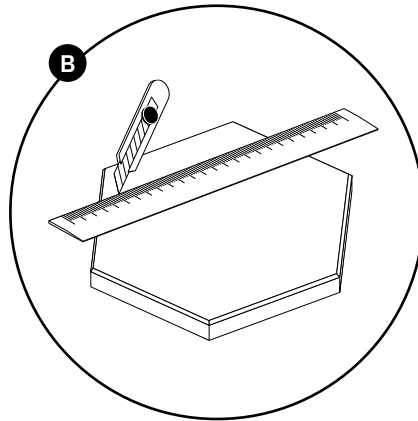
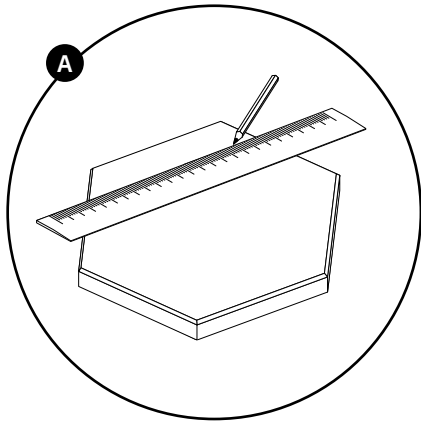
ATTENTION! You have approx. 20-40 minutes to fit the panels, depending on the temperature and humidity of the room.



5* Cutting panels

ATTENTION! First test the cut on a spare piece of a panel.

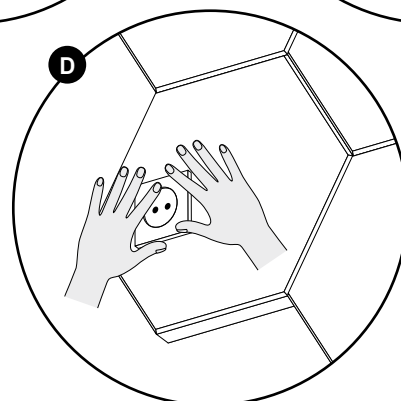
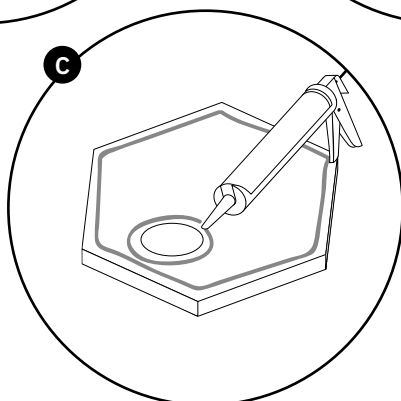
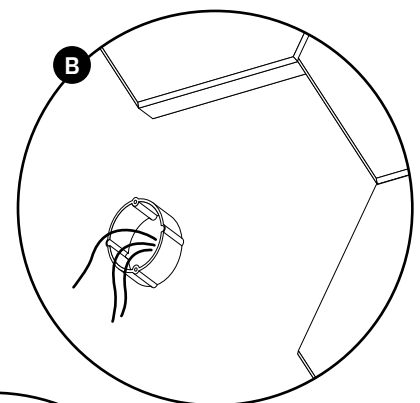
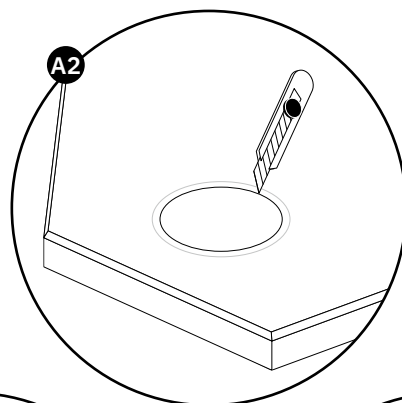
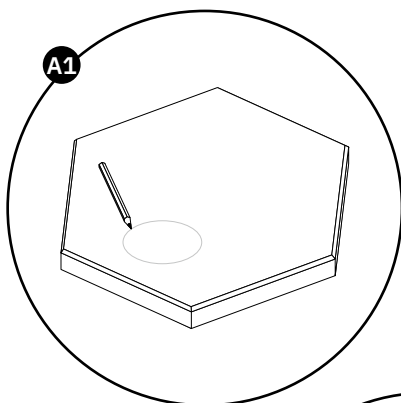
- A** With the use of a metal ruler gently mark the cutting line on the surface of the panel.
ATTENTION! Add 2-3 mm of reserve it will make the panel fit tightly to the adjacent panels.
- B** Cut the surface of the panel along the ruler's edge using a sharp carpet knife.
- C** Remember that the cut will reveal the inside structure of the panel. That is why you should only cut the panels when the revealed edge is to be covered by an adjacent ceiling or a perpendicular wall.



6** Embedding light switches and electrical sockets

ATTENTION! If the socket or switch falls on the panel, use the appropriate distance for the electrical box (available for purchase at any electrical, home improvement or construction store).

- A** Mark the location of the switch or socket on the panel (**A1**) and cut an opening 2-3 mm smaller than the diameter of the distance (**A2**).
- B** Install the electrical box distance according to manufacturer's instructions. Match its height with the panel thickness.
- C** Install the panel (apply generous amount of adhesive around the opening).
- D** Fix the body of the socket by firmly pressing it to the panel.

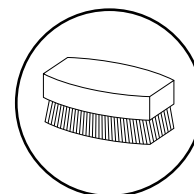


7 Final remarks

A After completing the panel installation ventilate the room well. Allow for the adhesive to dry completely (24h).



B Brush the panels with a clean, soft bristle brush.



Should you need our help
at any stage of assembly please call:

+48 502 552 392



LET'S TAKE CARE OF OUR PLANET TOGETHER!

Properly dispose of the packaging, in which we deliver our wall panels to you. Please put the flat folded cartons into the containers intended for paper. Throw the foil into containers intended for metals and plastics.