

KAI

Shin Azumi | 2006



KAI

Shin Azumi | 2006

In Japanese "KAI" means shell. And like a shell that opens and reveals its very soft interior, this chair perfectly adapts to the body. Thanks to a fold in the backrest, it provides support or comfort. With its minimalist design, it has a versatile and strong personality.



KAI

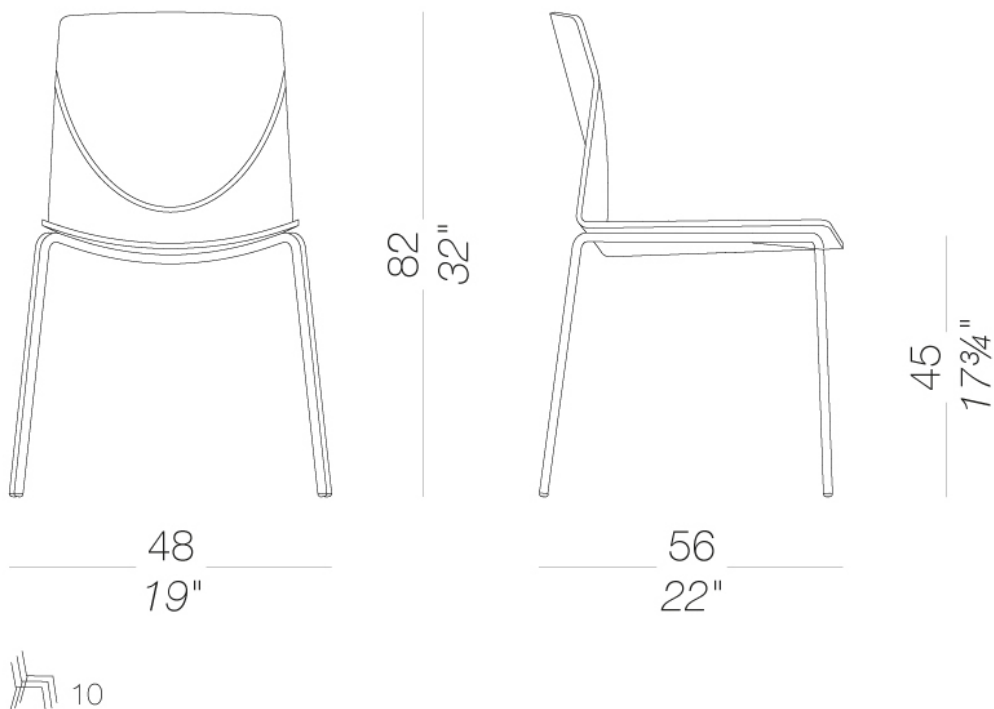
Shin Azumi | 2006

S38 Stackable in wood or fabric

KAI | S38 S38P

Stackable chair and armchair with base in sandblasted stainless steel Aisi 304, feet in polythene with felt. The curved plywood seat is available in several finishes, with seat pad on request or totally upholstered in fabric. We suggest to put a protection on the leather seat when stacked. It is complemented by a height adjustable swivel stool.

TEST EN 1728:2000 6.7 - UNI 10977/2002 - L4



KAI

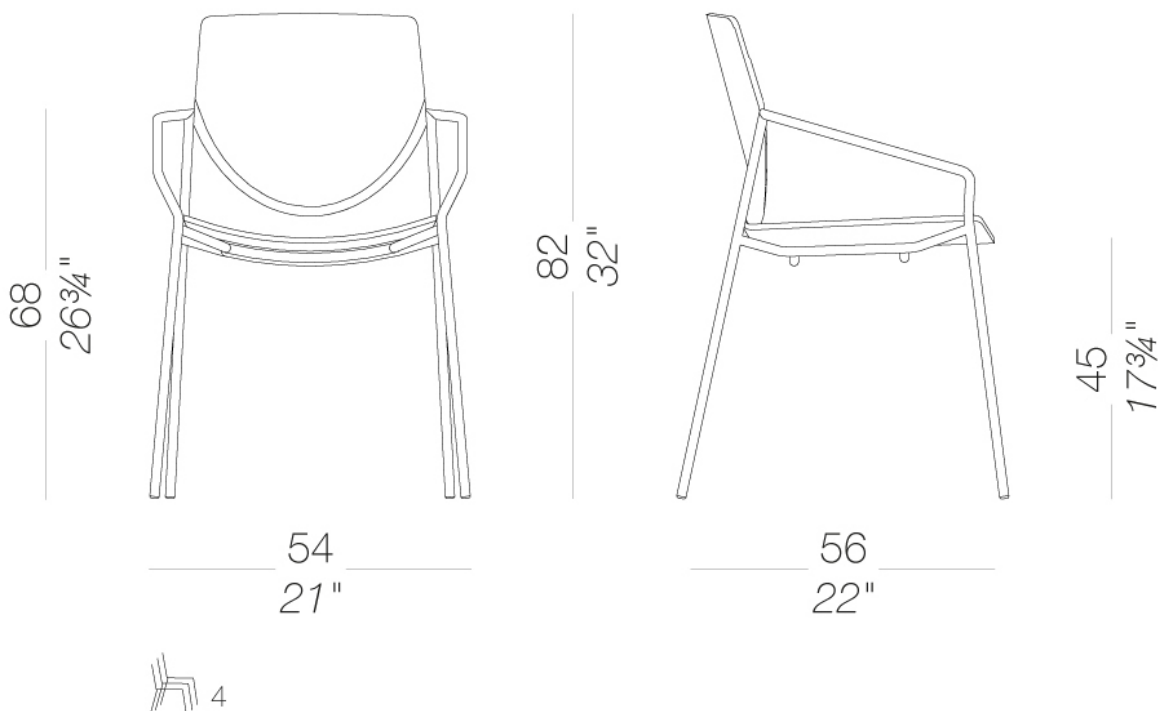
Shin Azumi | 2006

S38P Stackable with armrests

KAI | S38 S38P

Stackable chair and armchair with base in sandblasted stainless steel Aisi 304, feet in polythene with felt. The curved plywood seat is available in several finishes, with seat pad on request or totally upholstered in fabric. We suggest to put a protection on the leather seat when stacked. It is complemented by a height adjustable swivel stool.

TEST EN 1728:2000 6.7 - UNI 10977/2002 - L4



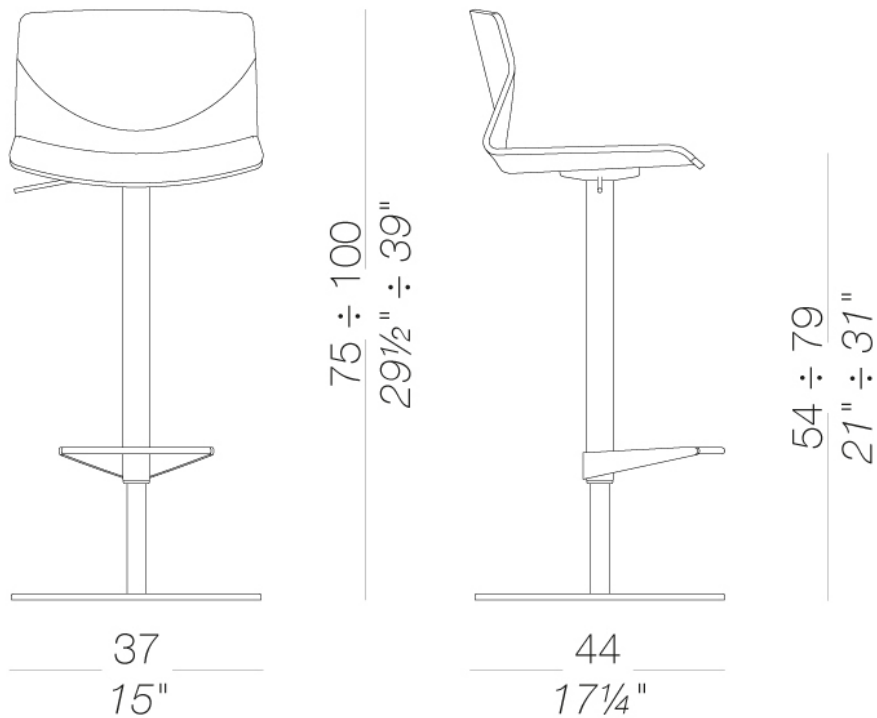
KAI

Shin Azumi | 2006

S39 height-adjustable H54 ÷ 79

Stool with swivel seat and adjustable height with sandblasted stainless steel and round base in steel with « linen fabric » pattern or completely powder coated white or black. Seat in plywood in several finishes, also with seat-pad in soft-leather or totally upholstered in fabric or leather.

TEST EN 15373:2007 - EN 15373:2007 - L3 severe
TEST 1 IM - Leather



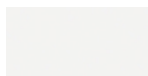
frame



powder coating
black
1 Colors



metal
stainless steel
1 Colors

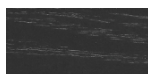


powder coating
white
1 Colors

shell



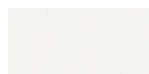
wood
blanch oak
1 Colors



wood
black open pore
1 Colors

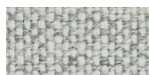


wood
oak dark walnut
1 Colors



lacquered
white lacquered
1 Colors

upholstery



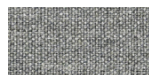
fabric
Hallingdal 65
47 Colors



fabric
Canvas 2
40 Colors



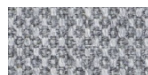
fabric
Steelcut Trio 3
48 Colors



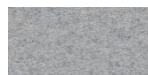
fabric
Remix 2
24 Colors



fabric
Clara 2
24 Colors



fabric
Fiord
24 Colors



fabric
Divina MD
24 Colors



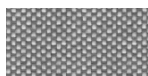
fabric
Divina Melange 2
24 Colors



fabric
Tonica 2
39 Colors



fabric
Swing
24 Colors



fabric
Maya
43 Colors



fabric
Medley
37 Colors



fabric
Jet
44 Colors



fabric
Laser J Flash
24 Colors

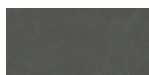


ecoleather
GRIMM FR
24 Colors



leather
leather
7 Colors

cushion



soft-leather
soft-leather
7 Colors

consult the portfolio for the range of colors, fabrics, eco-leather, soft-leather.

use and maintenance instructions

Clean all parts in wood, leather, fabric and metal with a damp cloth or a diluted neutral cleaner. Do not use cleaners with alcohol, bleach, solvent or abrasive products. Any liquid spilt on the product must be wiped up immediately. When lifting or moving the product, hold it on the structure and not under the seat. The product should not be subjected to unbalanced weights, as it is designed for a proper rest on the foothold (on four legs or on the base). Our company relieves from any responsibility in case of damage caused to fragile floors. Avoid any improper use of the product: do not step on the product, on the footrest or on the armrests. Avoid any movements that could compromise the proper functionality of the product or the safety of the users. Wood and leather, being natural materials, could be easily damaged. Small impurities or imperfections are within quality standard range. Do not expose the product to weather conditions or atmospheric agents, nor to heat sources over 40°C. Also products for outdoor use could be afflicted by atmospheric agents. The product could undergo possible exterior changes due to particular exposure to heat, humidity and saltiness. An appropriate and frequent maintenance and cleaning of the product enhances its durability. The product could change colour and shade, if exposed to direct sunlight. Maintenance has to be carried out by experienced staff. Dispose of the package only after assembling the product, in order to avoid the loss of ironmongery and components. Once the product has been dismantled, the product itself or its components must be given to the public garbage disposal system, according to the legislation in force.