



Sistema di tavolo pieghevole, struttura in acciaio verniciato a polvere, piani in acciaio, MDF o HPL Full color nei colori nero, bianco e rosso (solo metallo). Piano tavolo ribaltabile. Uso interno ed esterno.

Table system, structure and top in powder coated metal in the colours black, white, traffic red. With folding table top; indoor and outdoor use.

Tisch System, Gestell in pulverbeschichtetem Metall und Platte in Metall, MDF oder Vollaminat HPL in den Farben schwarz, weiß, verkehrsrot (nur Metall). Tischplatte klappbar. Innen- und Außenbereich.

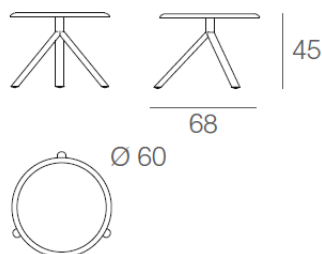
RICONOSCIMENTI / AWARDS / AUSZEICHNUNGEN:

- Interior Innovation Award imm Cologne, 2008 - Best of the Best in Category Best Detail

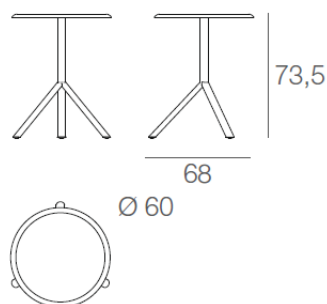
FINITURE / FINISHING / AUSFÜHRUNGEN



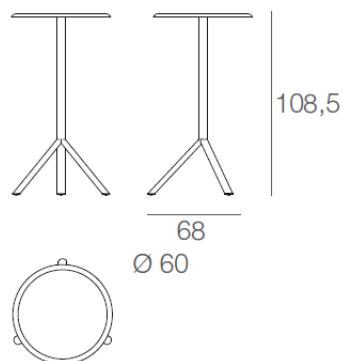
Mod. 9553-51



Mod. 9553-01

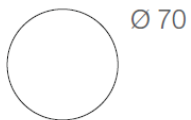
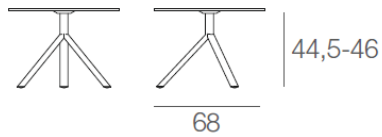


Mod. 9553-01



## MIURA TABLE design Konstantin Grcic

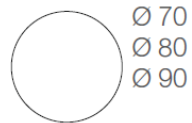
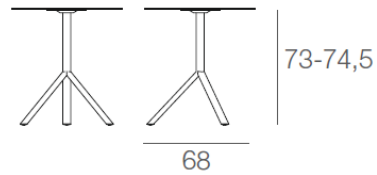
Mod. 9590-51 (Ø 70)



Mod. 9590-01 (Ø 70)

Mod. 9591-01 (Ø 80)

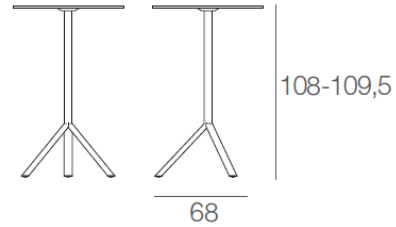
Mod. 9592-01 (Ø 90)



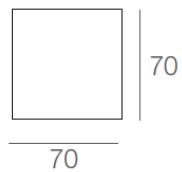
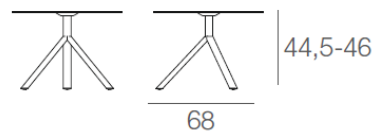
Mod. 9590-01 (Ø 70)

Mod. 9591-01 (Ø 80)

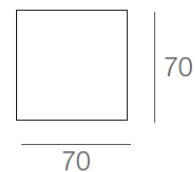
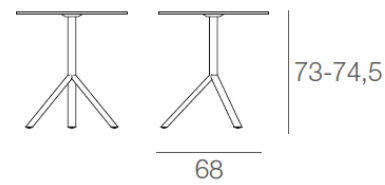
Mod. 9592-01 (Ø 90)



Mod. 9580-51



Mod. 9580-01



Mod. 9555-01 (Ø 100)

Mod. 9556-01 (Ø 110)

