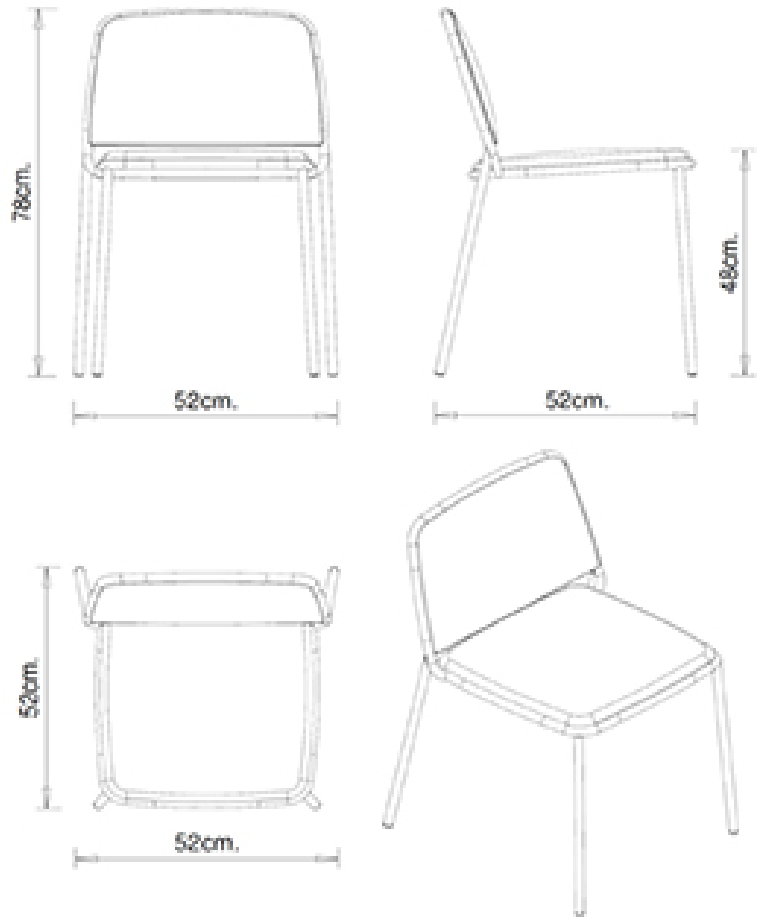


## Ring 670

RING COLLECTION:  
Ring 670, Ring 671, Ring 672,



4-leg chair with steel frame and shell upholstered in fabric.

### STACKABLE

4

### WEIGHT

7,1 Kg

### PACK

0,39 m<sup>3</sup>

### PIECES PER BOX

4

### FINISHES SEATING

**TE** FABRIC

### FRAMES

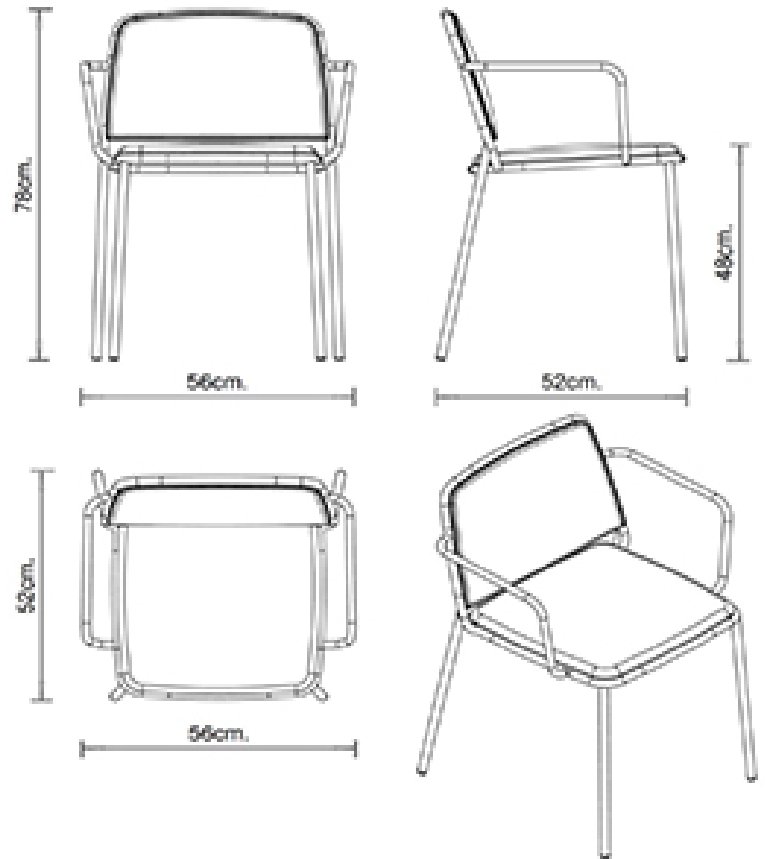
**AC** STEEL

### USES

coffee & restaurants, hotels, retail,

## Ring 671

RING COLLECTION:  
Ring 670, Ring 671, Ring 672,



4-leg armchair with steel frame and shell upholstered in fabric

### STACKABLE

4

### WEIGHT

7,5 Kg

### PACK

0,39 m<sup>3</sup>

### FINISHES SEATING

**TE** FABRIC

### FRAMES

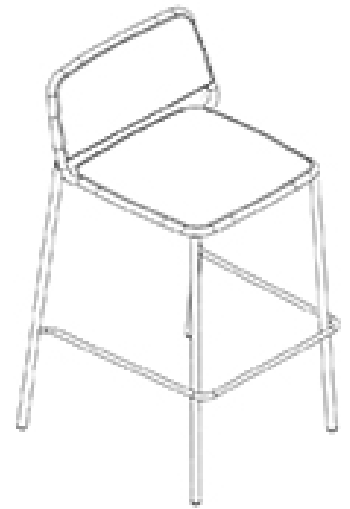
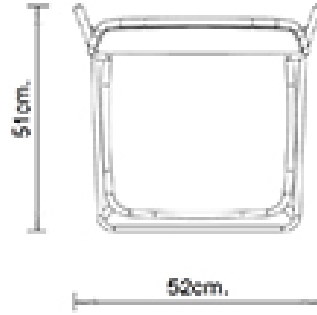
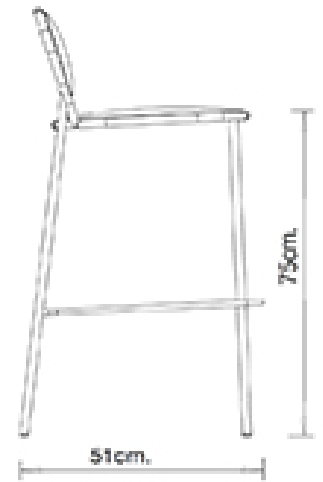
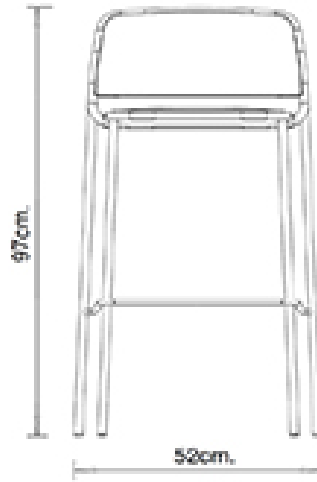
**AC** STEEL

### USES

coffee & restaurants, hotels, retail,

## Ring 672

RING COLLECTION:  
Ring 670, Ring 671, Ring 672,



4-leg stool with steel frame and upholstered shell in fabric.

**STACKABLE**

4

**WEIGHT**

7,4 Kg

**PACK**

0,37 m<sup>3</sup>

**PIECES PER BOX**

2

### FINISHES SEATING

**TE** FABRIC

### FRAMES

**AC** STEEL

### USES

coffee & restaurants, hotels, retail,

# Ring

Radice Orlandini **Design Studio**

---

**metalmobil**