

# ROUND desks



## FEATURES

- Easy to assemble and disassemble - “metal to metal” construction
- Just one tool for assembling (DIN911 S5)
- All electrical components are easier to install before mounting table tops

## QUALITY STANDARDS

- EN 14073-2:2004
- EN 14073-3:2004
- EN 14074:2004

## TECHNICAL INFORMATION

### Desktop

- 25 mm MFC (melamine) with 2 mm ABS edges;
- Melamine table top with 2 mm ABS edging or R100 Rounded corners;
- 8 mm gap between the legs and the desktop;
- 40 mm gap between the desktops in back to back benches (depth of benches – 1440/1640).

### Metal beam

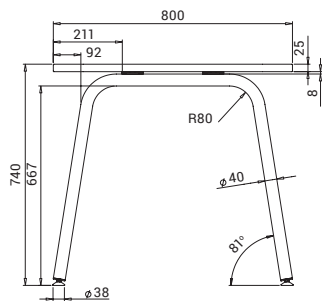
- Metal tube – 40 x 20 mm;
- With welded metal plates for Round leg fixing;
- Powder coated metal.

### Legs

- Bended metal tube D40 x 2 mm;
- Powder coated metal;
- Plastic feet with height levelling (10 mm).

### Central leg

- Assembled leg from metal tube D40 x 2 mm welded parts.



### Desktop type



Plain desktop

Desktop with a scallop for wire management

Desktop with a cut-out for grommet and wire management

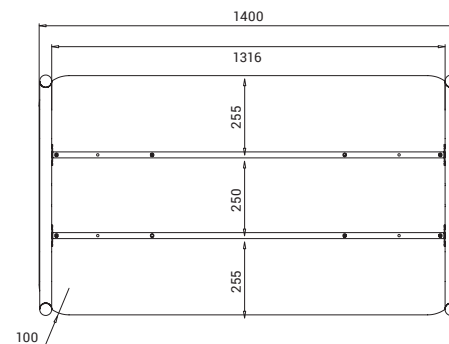
### Edge type



ABS edge (melamine)

R100 Rounded corners (melamine)

### Desk with R100 rounded corners



### Screens and accessories

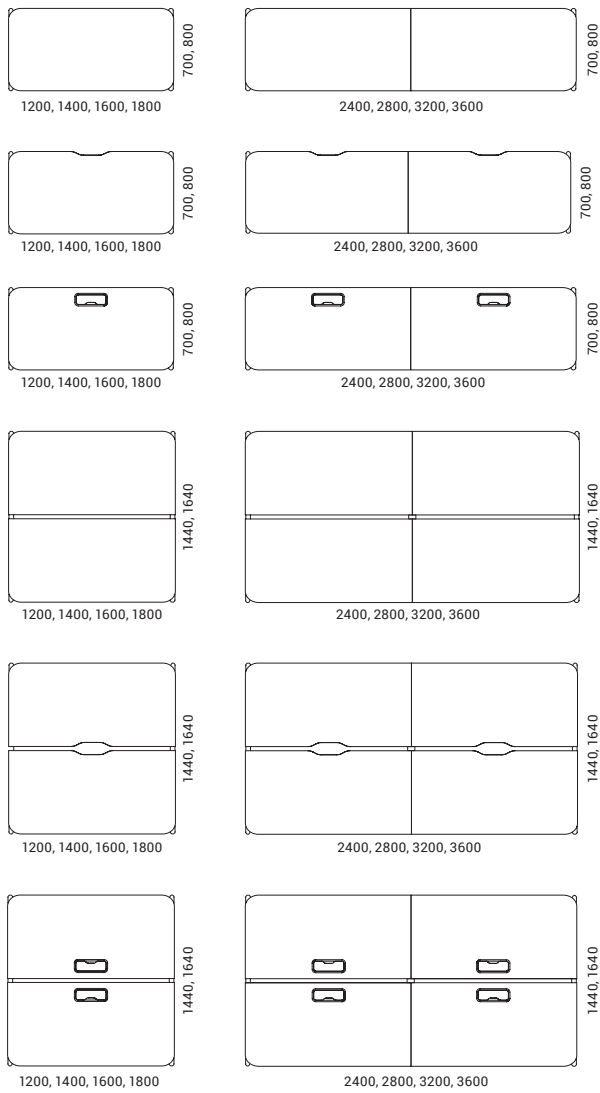
- NOVA fabric;
- ROUND cable trays;
- Cable ducts, wire management and power supply products listed in pricelist.

## GUARANTEE

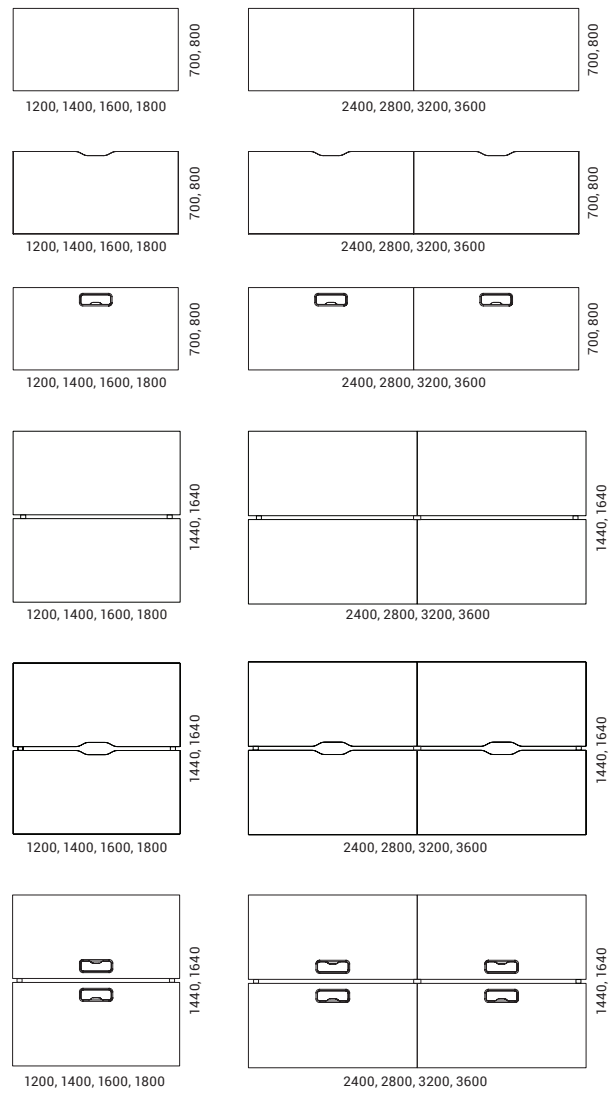
- 5 years

RANGE

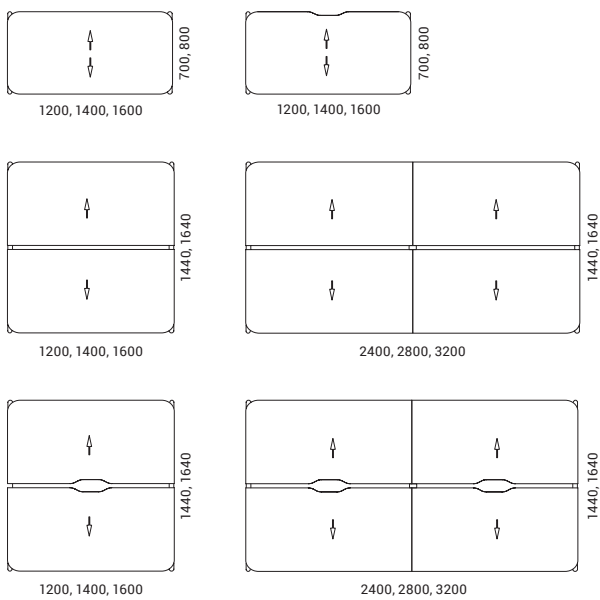
Rounded fix



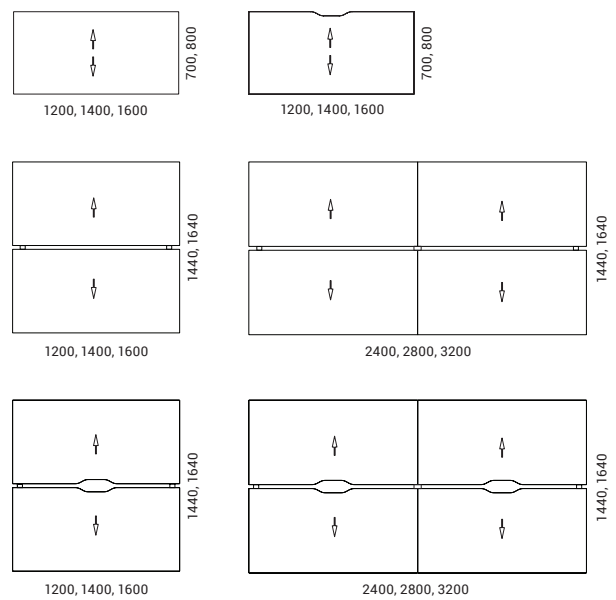
Rectangular fix



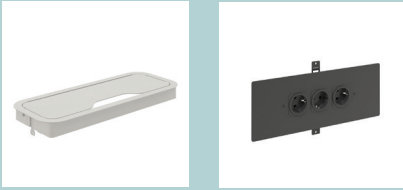
Rounded slide



Rectangular slide



**Must be ordered**  
(for desktops with cut-out)



Metal grommet or power unit with metal frame

**Optional**



Power socket blocks



Cable trays



Cable clips



Cable ducts



Wires

**SLIDE DESKS EXPLANATION**

- Height – 743 mm
- Sliding desktop for wire management



7 mm gap between 4 desk bench sliding desktops

4 mm gap between any two sliding desktops standing together

