

SEELA AC | S340

Antti Kotilainen | 2022



SEELA AC

Antti Kotilainen | 2022

The SEELA collection of chairs by Antti Kotilainen is growing and is now complemented with a new addition: a brand-new tub version, created to meet the contract and residential markets even more promptly. A sinuous polypropylene shell rests on an extremely light base, which, in turn, seamlessly continues into the seat, accommodating a rounded wooden insert. The version with an insert acts as a base to create a padded seat for upholstering in fabric. The entire chair can also be upholstered and, if desired, the insert can stand out in a different material. Versatility is the key word to describe a chair with light, clear-cut lines that is extremely functional and has a solid structure, which changes according to the project requirements. It is ideal around a meeting table, as a guest chair and armchair in the coffee bars of companies or professional studios, and the version on castors is particularly suitable for co-working environments. Fully upholstered, it is even more comfortable and elegant and allows you to play with colours, having fun combining the shell in one colour with the seat interior in another.



SEELA AC

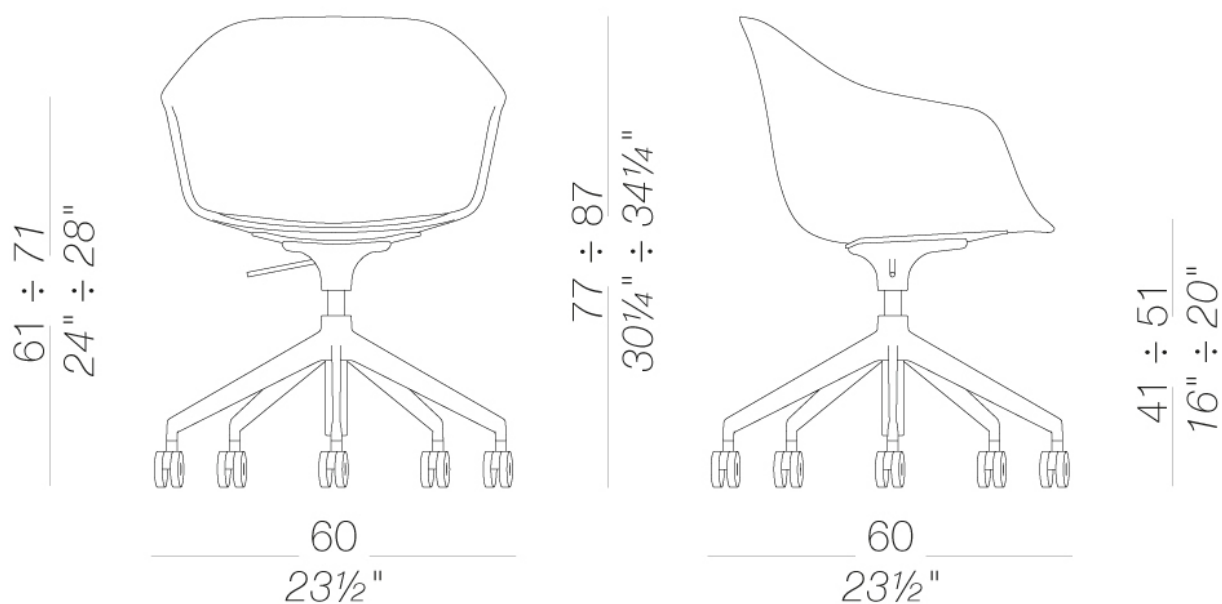
Antti Kotilainen | 2022

| S340 Height-adjustable with pyramidal base, on castors

Shell in polypropylene with integrated seamless seatpad in polypropylene, wood or fabric, easily removable with 4 screws and replaceable. A fully upholstered shell without removable seat-pad is also available.

Outer shell in polypropylene. Inner shell in polypropylene, upholstered with fabric.

Five-star swivel height adjustable base in sandblasted aluminium or powder coated, with self-braking castors.



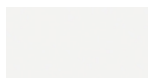
SEELA AC | S340

Antti Kotilainen | 2022

frame



powder coating
black
1 Colors



powder coating
white
1 Colors



metal
aluminium
1 Colors

shell



plastics
polypropylene
9 Colors

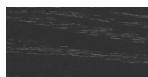
seat-pad



plastics
polypropylene
9 Colors



wood
blanched oak
1 Colors



wood
black open pore
1 Colors

upholstery



fabric
Canvas 2
45 Colors



fabric
Steelcut Trio 3
54 Colors



fabric
Remix 3
72 Colors



fabric
Tonica 2
39 Colors



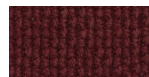
fabric
Medley
37 Colors



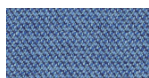
fabric
Maya
43 Colors



fabric
Jet
66 Colors



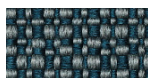
fabric
Lapalma Smart
18 Colors



fabric
Capture
43 Colors



fabric
Crisp
40 Colors



fabric
Iris
24 Colors



ecoleather
GRIMM FR
24 Colors



ecoleather
Valencia
59 Colors

consult the portfolio for the range of colors, fabrics, eco-leather, soft-leather.

use and maintenance instructions

Clean all parts in wood, leather, fabric and metal with a damp cloth or a diluted neutral cleaner. Do not use cleaners with alcohol, bleach, solvent or abrasive products. Any liquid spilt on the product must be wiped up immediately. When lifting or moving the product, hold it on the structure and not under the seat. The product should not be subjected to unbalanced weights, as it is designed for a proper rest on the foothold (on four legs or on the base). Our company relieves from any responsibility in case of damage caused to fragile floors. Avoid any improper use of the product: do not step on the product, on the footrest or on the armrests. Avoid any movements that could compromise the proper functionality of the product or the safety of the users. Wood and leather, being natural materials, could be easily damaged. Small impurities or imperfections are within quality standard range. Do not expose the product to weather conditions or atmospheric agents, nor to heat sources over 40°C. Also products for outdoor use could be afflicted by atmospheric agents. The product could undergo possible exterior changes due to particular exposure to heat, humidity and saltiness. An appropriate and frequent maintenance and cleaning of the product enhances its durability. The product could change colour and shade, if exposed to direct sunlight. Maintenance has to be carried out by experienced staff. Dispose of the package only after assembling the product, in order to avoid the loss of ironmongery and components. Once the product has been dismantled, the product itself or its components must be given to the public garbage disposal system, according to the legislation in force.