

# SEELA

Antti Kotilainen | 2018



# SEELA

Antti Kotilainen | 2018

When they communicate, it is the best of all possible worlds. Man and nature together, one observes, the other suggests shapes and materials. This extraordinary encounter has led to a lesson in Finnish design. The encounter between Antti Kotilainen and Lapalma has resulted in SEELA, a chair that expresses beauty, with spontaneous contact between wood, polypropylene and steel. The sinuous shell on light bases has an integrated seamless seat-pad. Countless variations. Much serenity.



# SEELA

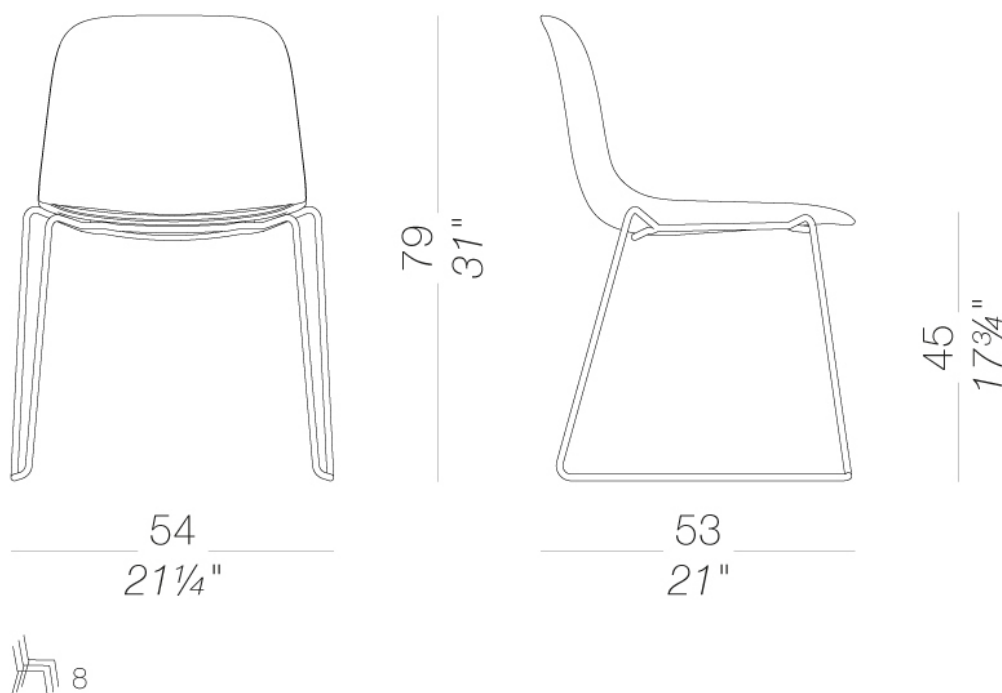
Antti Kotilainen | 2018



## S310 Stackable with slide-frame base

### SEELA | S310 S311 S312 S313 S314 S315 S316 S317

Family of chairs with shell in polypropylene or upholstered and integrated seamless seat-pad in polypropylene, wood or fabric, easily removable and replaceable. Metal 4-leg or sled base, mat chromed or powder coated, or with wooden legs. Also available with armrests or tablet, with linking system and stacking pad. This seating program includes a stackable stool with fixed height.



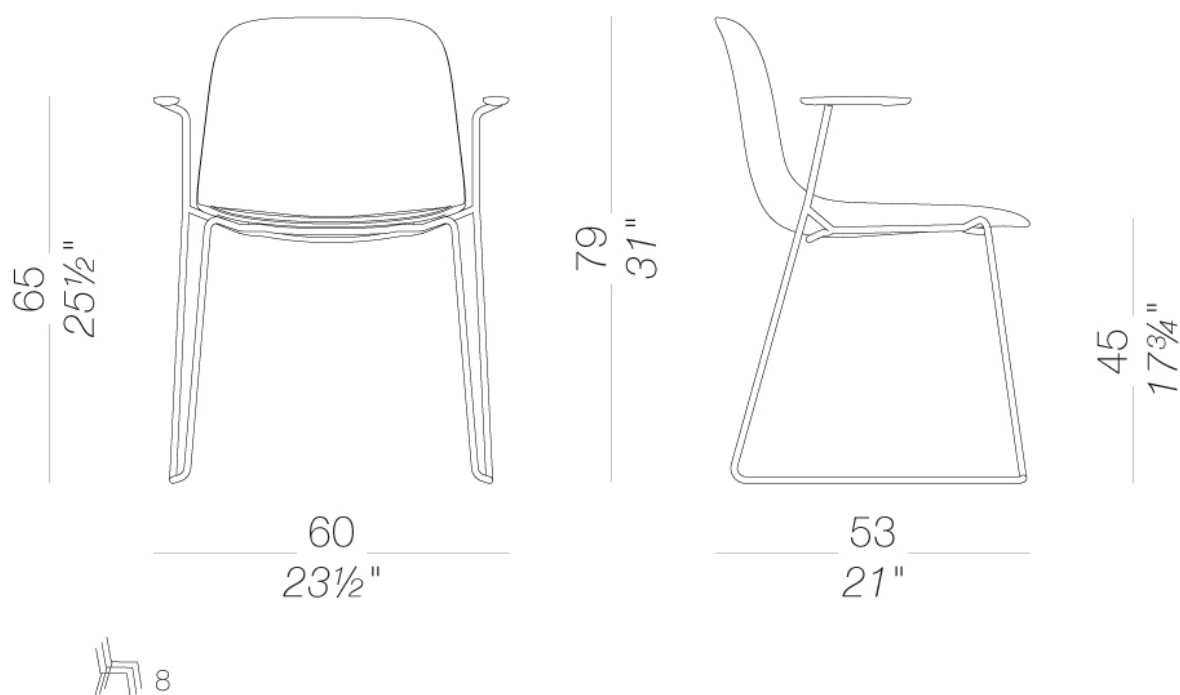
# SEELA

Antti Kotilainen | 2018

## S314 stackable with armrests

### SEELA | S310 S311 S312 S313 S314 S315 S316 S317

Family of chairs with shell in polypropylene or upholstered and integrated seamless seat-pad in polypropylene, wood or fabric, easily removable and replaceable. Metal 4-leg or sled base, mat chromed or powder coated, or with wooden legs. Also available with armrests or tablet, with linking system and stacking pad. This seating program includes a stackable stool with fixed height.



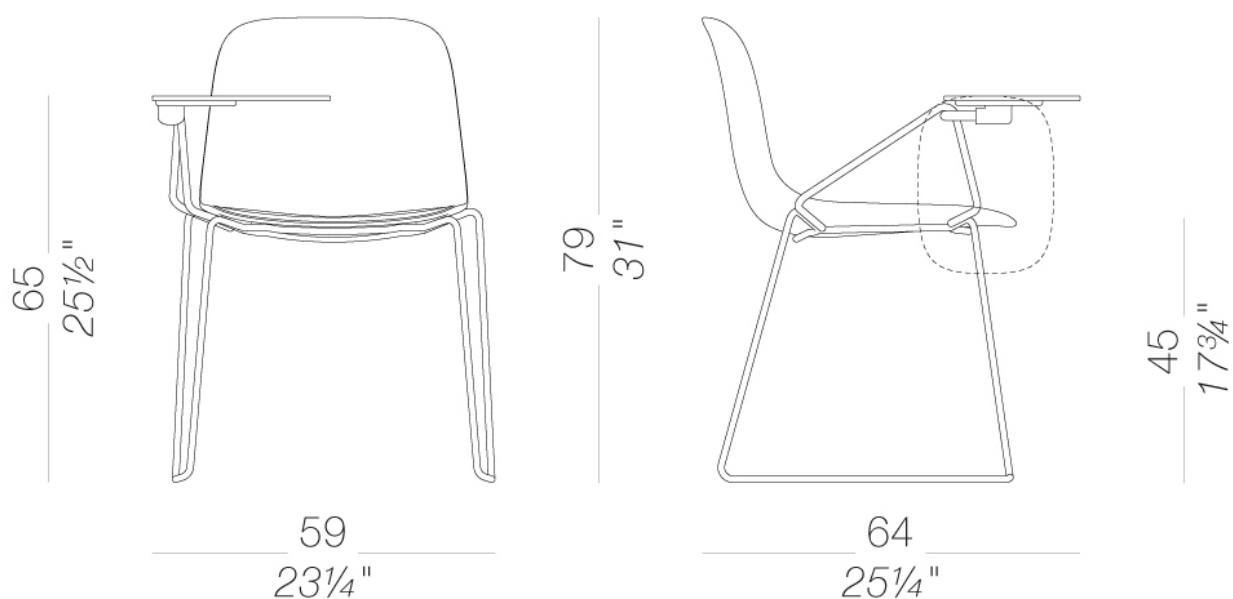
# SEELA

Antti Kotilainen | 2018

## S315 with writing arm

### SEELA | S310 S311 S312 S313 S314 S315 S316 S317

Family of chairs with shell in polypropylene or upholstered and integrated seamless seat-pad in polypropylene, wood or fabric, easily removable and replaceable. Metal 4-leg or sled base, mat chromed or powder coated, or with wooden legs. Also available with armrests or tablet, with linking system and stacking pad. This seating program includes a stackable stool with fixed height.



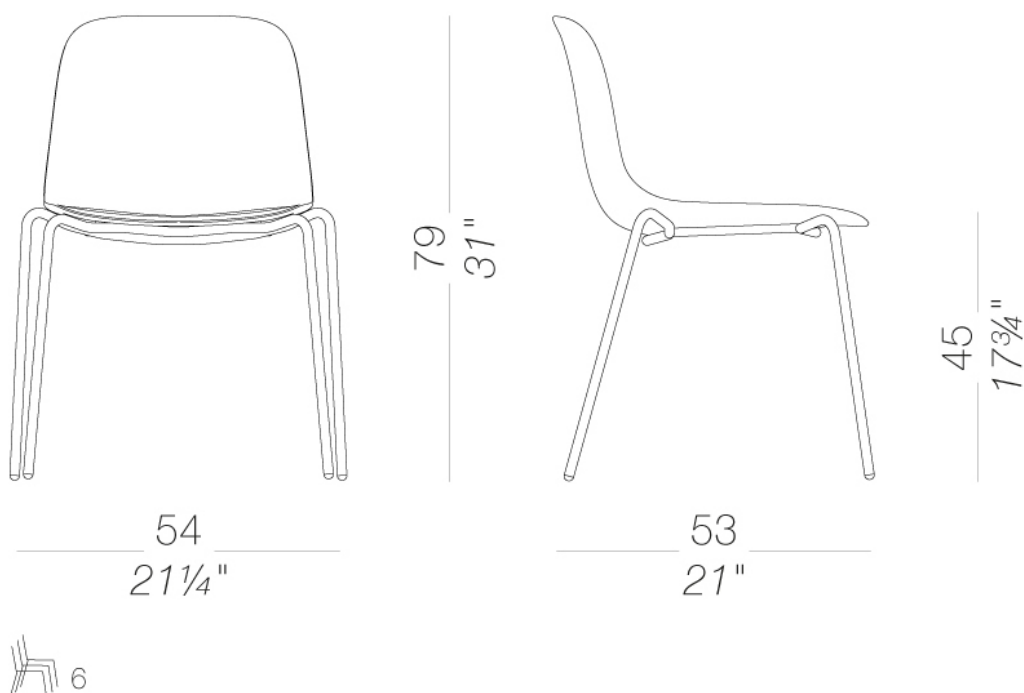
# SEELA

Antti Kotilainen | 2018

## S311 4-legged

### SEELA | S310 S311 S312 S313 S314 S315 S316 S317

Family of chairs with shell in polypropylene or upholstered and integrated seamless seat-pad in polypropylene, wood or fabric, easily removable and replaceable. Metal 4-leg or sled base, mat chromed or powder coated, or with wooden legs. Also available with armrests or tablet, with linking system and stacking pad. This seating program includes a stackable stool with fixed height.



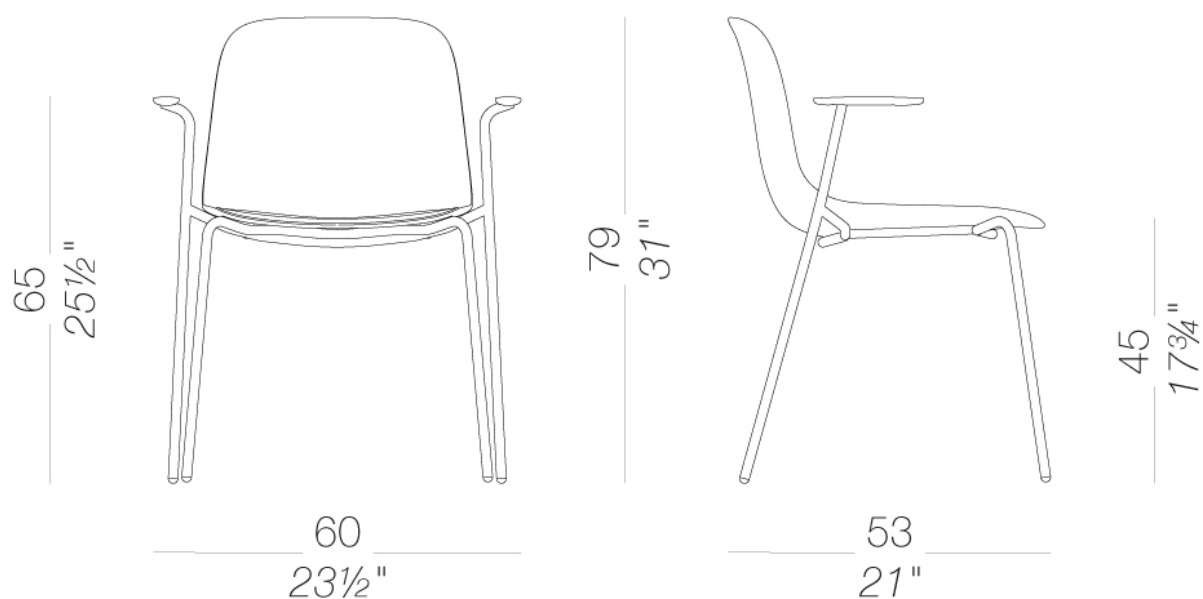
# SEELA

Antti Kotilainen | 2018

## S316 stackable with armrests

### SEELA | S310 S311 S312 S313 S314 S315 S316 S317

Family of chairs with shell in polypropylene or upholstered and integrated seamless seat-pad in polypropylene, wood or fabric, easily removable and replaceable. Metal 4-leg or sled base, mat chromed or powder coated, or with wooden legs. Also available with armrests or tablet, with linking system and stacking pad. This seating program includes a stackable stool with fixed height.



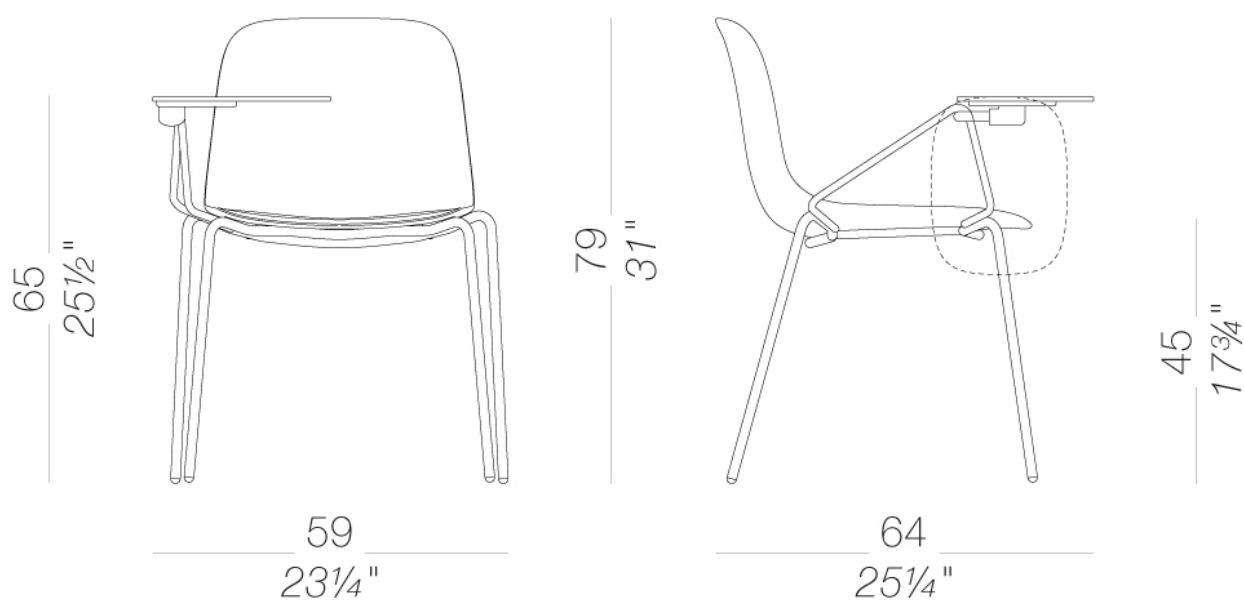
# SEELA

Antti Kotilainen | 2018

## S317 with writing arm

### SEELA | S310 S311 S312 S313 S314 S315 S316 S317

Family of chairs with shell in polypropylene or upholstered and integrated seamless seat-pad in polypropylene, wood or fabric, easily removable and replaceable. Metal 4-leg or sled base, mat chromed or powder coated, or with wooden legs. Also available with armrests or tablet, with linking system and stacking pad. This seating program includes a stackable stool with fixed height.





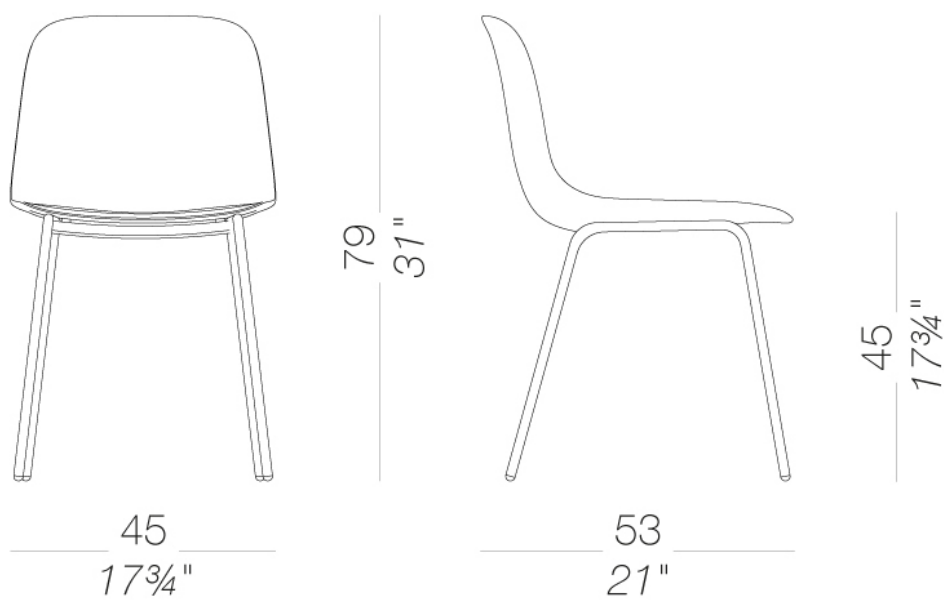
# SEELA

Antti Kotilainen | 2018

## S312 4-legged

### SEELA | S310 S311 S312 S313 S314 S315 S316 S317

Family of chairs with shell in polypropylene or upholstered and integrated seamless seat-pad in polypropylene, wood or fabric, easily removable and replaceable. Metal 4-leg or sled base, mat chromed or powder coated, or with wooden legs. Also available with armrests or tablet, with linking system and stacking pad. This seating program includes a stackable stool with fixed height.



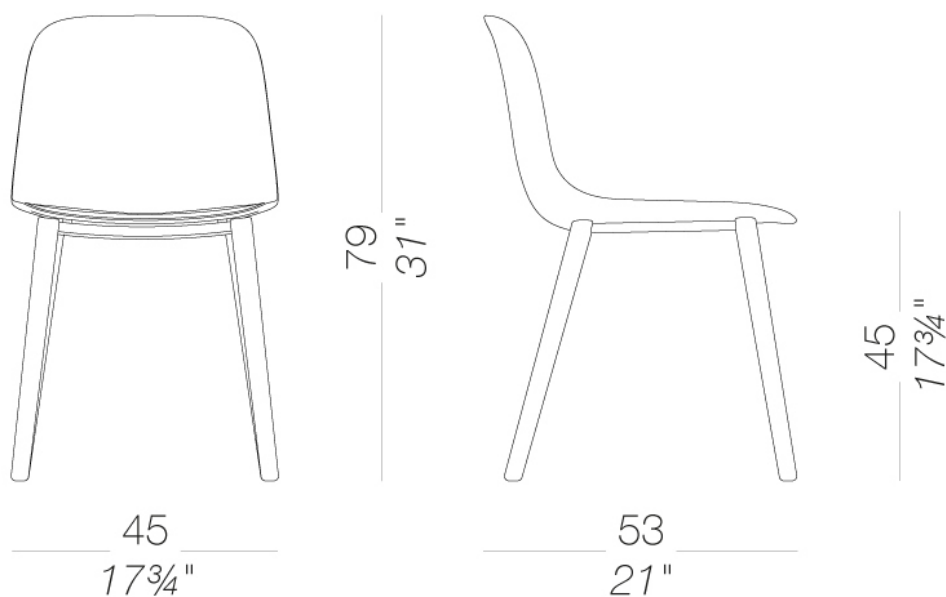
# SEELA

Antti Kotilainen | 2018

## S313 Chair with wood legs

SEELA | S310 S311 S312 S313 S314 S315 S316 S317

Family of chairs with shell in polypropylene or upholstered and integrated seamless seat-pad in polypropylene, wood or fabric, easily removable and replaceable. Metal 4-leg or sled base, mat chromed or powder coated, or with wooden legs. Also available with armrests or tablet, with linking system and stacking pad. This seating program includes a stackable stool with fixed height.



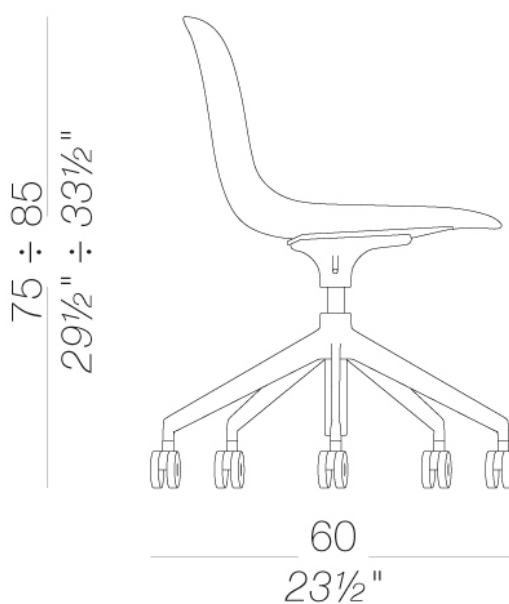
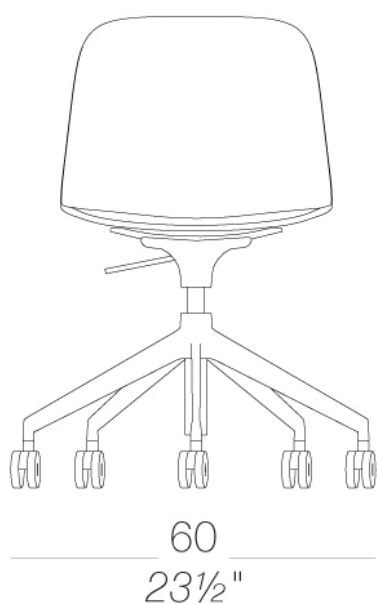
# SEELA

Antti Kotilainen | 2018

## S340 Height-adjustable with pyramidal base, on castors

### SEELA | S340 S341 S342

Family of chairs with shell in polypropylene or upholstered and integrated seamless seatpad in polypropylene, wood or fabric, easily removable and replaceable. Bases can be height-adjustable or fixed, with castors, in powder coated or sandblasted die-cast aluminium. Also available with polypropylene armrests.



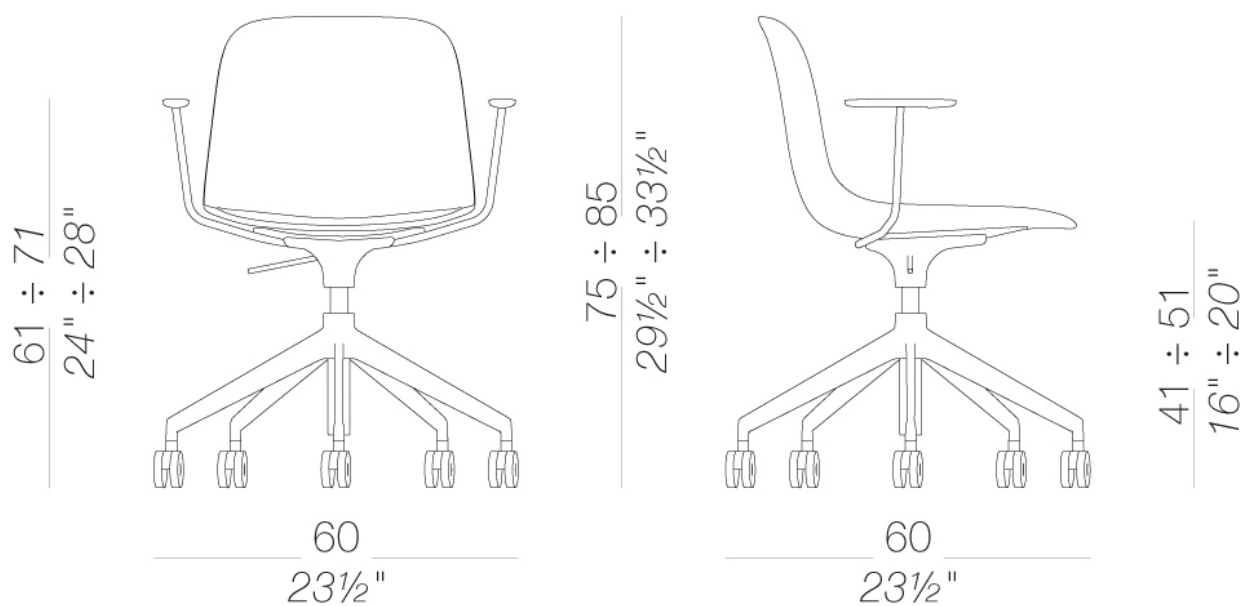
# SEELA

Antti Kotilainen | 2018

## S341 swivel with armrests

### SEELA | S340 S341 S342

Family of chairs with shell in polypropylene or upholstered and integrated seamless seatpad in polypropylene, wood or fabric, easily removable and replaceable. Bases can be height-adjustable or fixed, with castors, in powder coated or sandblasted die-cast aluminium. Also available with polypropylene armrests.



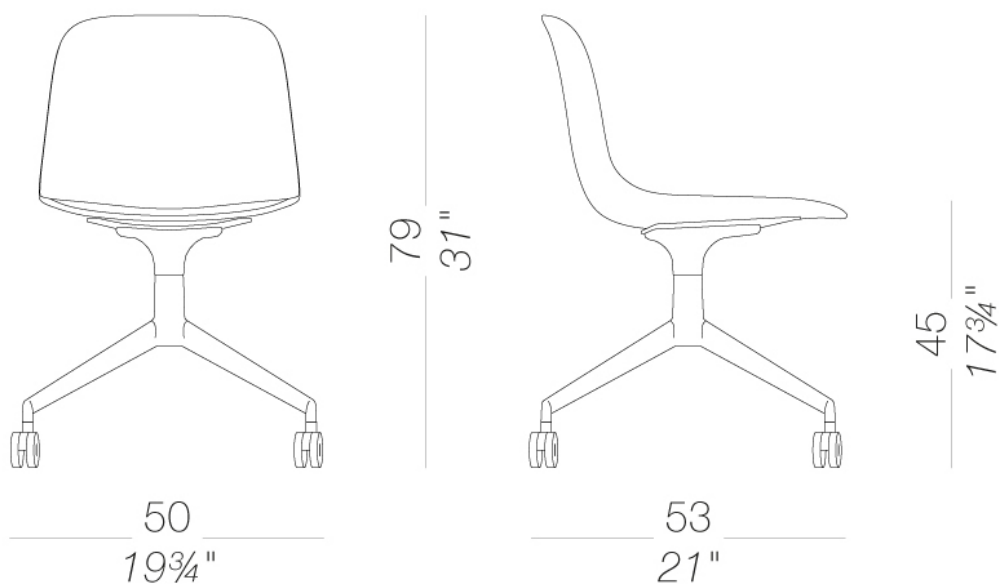
# SEELA

Antti Kotilainen | 2018

## S342 4-spoke base, on castors

### SEELA | S340 S341 S342

Family of chairs with shell in polypropylene or upholstered and integrated seamless seatpad in polypropylene, wood or fabric, easily removable and replaceable. Bases can be height-adjustable or fixed, with castors, in powder coated or sandblasted die-cast aluminium. Also available with polypropylene armrests.



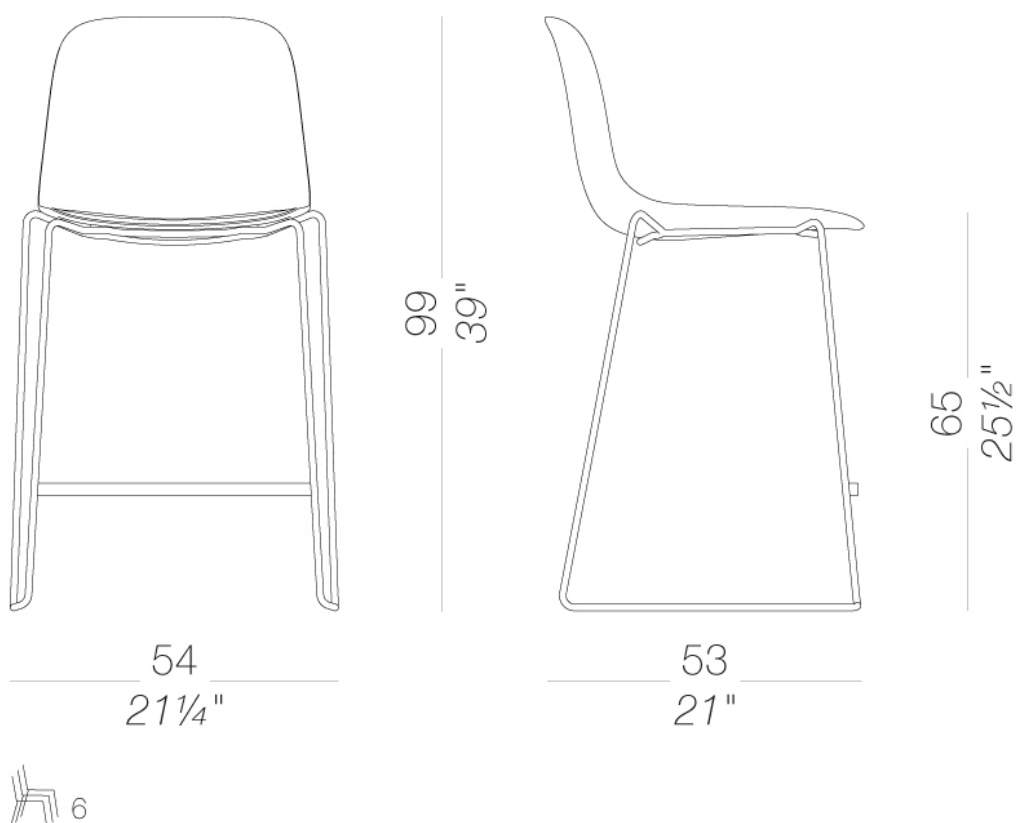
# SEELA

Antti Kotilainen | 2018

## S320 Stool with slide-frame base H65

### SEELA | S320 S321

Stackable stool in two heights with shell in polypropylene and integrated seamless seat in polypropylene, wood or fabric, easily removable and replaceable. Metal sled base mat chromed or powder coated. A stacking pad under the seat is available for the stools in fabric.



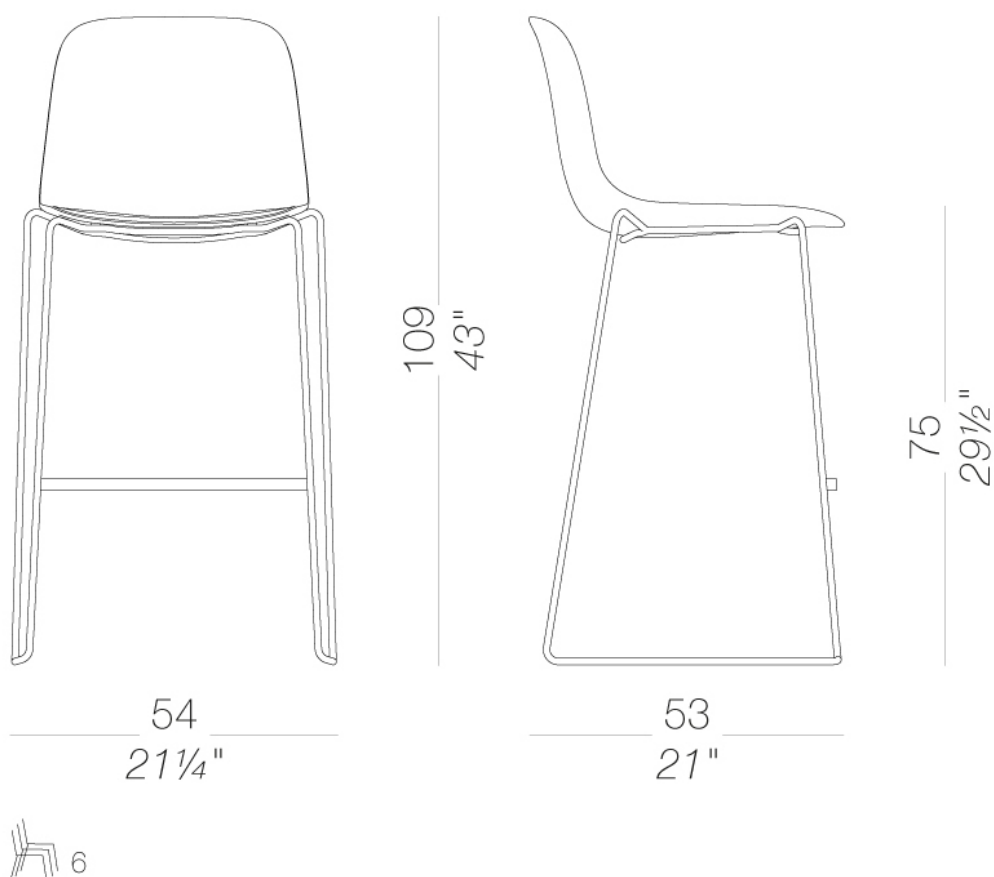
# SEELA

Antti Kotilainen | 2018

## S321 Stool with slide-frame base H75

### SEELA | S320 S321

Stackable stool in two heights with shell in polypropylene and integrated seamless seat in polypropylene, wood or fabric, easily removable and replaceable. Metal sled base mat chromed or powder coated. A stacking pad under the seat is available for the stools in fabric.



# SEELA

Antti Kotilainen | 2018

## frame



powder coating  
perla  
1 Colors



wood  
blanch oak  
1 Colors



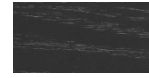
powder coating  
black  
1 Colors



powder coating  
white  
1 Colors



powder coating  
celeste  
1 Colors



wood  
black open pore  
1 Colors



powder coating  
mattone  
1 Colors



metal  
aluminium  
1 Colors



powder coating  
caffè  
1 Colors



powder coating  
oliva  
1 Colors



powder coating  
tortora  
1 Colors



metal  
mat chromed  
1 Colors

## shell



plastics  
polypropylene  
9 Colors

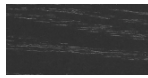
## seat-pad



plastics  
polypropylene  
9 Colors



wood  
blanch oak  
1 Colors

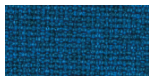


wood  
black open pore  
1 Colors

## upholstery



fabric  
Tonica 2  
39 Colors



fabric  
Medley  
37 Colors



fabric  
Jet  
44 Colors



ecoleather  
GRIMM FR  
24 Colors

## armrests



plastics  
polypropylene  
9 Colors

## tablet



HPL 10 mm  
HPL fenix  
2 Colors



**consult the portfolio for the range of colors, fabrics, eco-leather, soft-leather.**

**use and maintenance instructions**

Clean all parts in wood, leather, fabric and metal with a damp cloth or a diluted neutral cleaner. Do not use cleaners with alcohol, bleach, solvent or abrasive products. Any liquid spilled on the product must be wiped up immediately. When lifting or moving the product, hold it on the structure and not under the seat. The product should not be subjected to unbalanced weights, as it is designed for a proper rest on the foothold (on four legs or on the base). Our company relieves from any responsibility in case of damage caused to fragile floors. Avoid any improper use of the product: do not step on the product, on the footrest or on the armrests. Avoid any movements that could compromise the proper functionality of the product or the safety of the users. Wood and leather, being natural materials, could be easily damaged. Small impurities or imperfections are within quality standard range. Do not expose the product to weather conditions or atmospheric agents, nor to heat sources over 40°C. Also products for outdoor use could be afflicted by atmospheric agents. The product could undergo possible exterior changes due to particular exposure to heat, humidity and saltiness. An appropriate and frequent maintenance and cleaning of the product enhances its durability. The product could change colour and shade, if exposed to direct sunlight. Maintenance has to be carried out by experienced staff. Dispose of the package only after assembling the product, in order to avoid the loss of ironmongery and components. Once the product has been dismantled, the product itself or its components must be given to the public garbage disposal system, according to the legislation in force.