

systemtronic

datasheet FAYA



General description:

Discrete fire extinguisher support made of painted steel sheet. Its wheels allow its easy movement.

Designer: STC Studio.



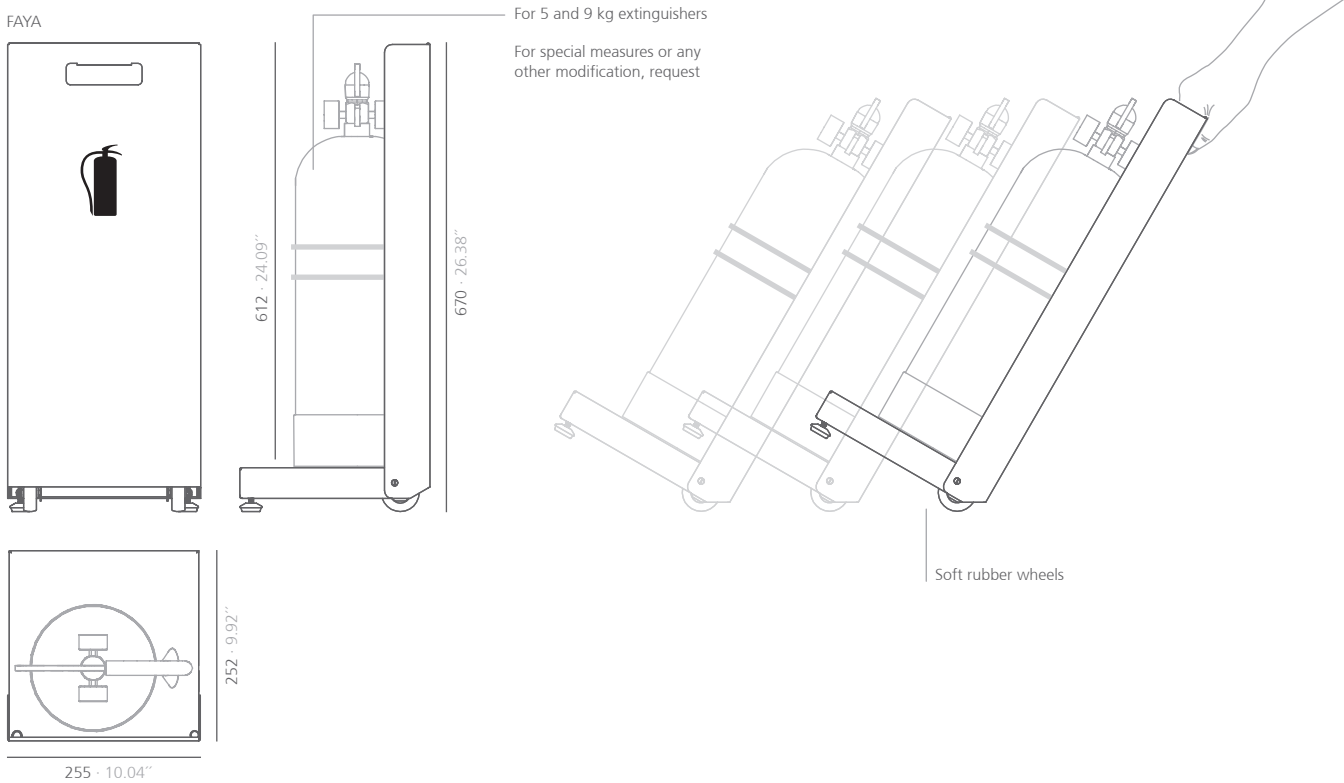
Normative:

Faya respects the requirements demanded in the current standard for fire safety regarding the extinguishers are easily visible and accessible. The front sticker of the stand does not exempt from the responsibility of placing the compulsory luminescent extinguisher signal in accordance with UNE 23035 in the installation.

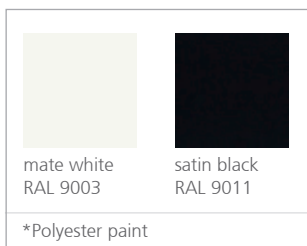
Technical description:

Material: Steel.

Dimensions: 255x252x670 mm 10.04x9.92x26.38 "



SI units: mm and inches.

Finishes:

Consult for special dimensions or any other modification.

Maintenance:-Polyester Paint:

For dry dirt (dust), use a damp cloth. For greasy/oily stains (fingerprints), wipe with a sponge with water and dishwashing liquid. Rinse with a damp cloth. Avoid using products containing solvents and/or pure ethyl alcohol.

-Aluminium-metal-glass-melamine-plastic:

We recommend using normal cleaning products for delicate surfaces. Alcohol, solvents and abrasive agents must be avoided.

Assembly:

