

# systemtronic

datasheet BURACO



General description:

Wall hangers made of folded and painted steel sheet.  
Its design makes it an interesting functional and decorative element.

Designer: Estudio Enblanc.

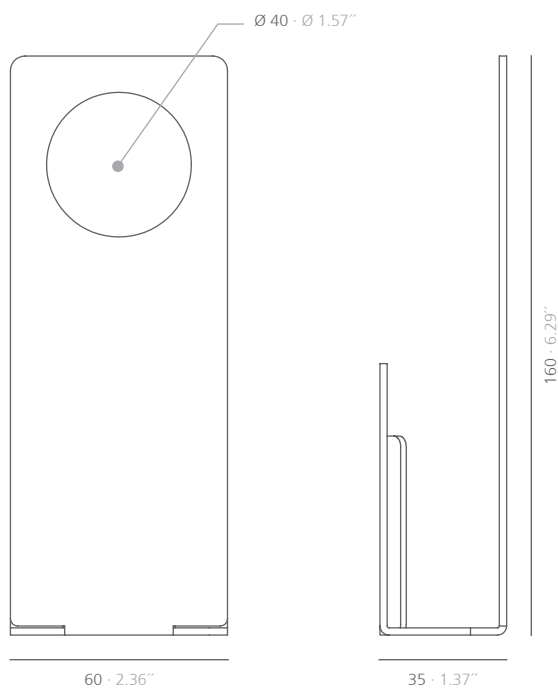


Technical description:

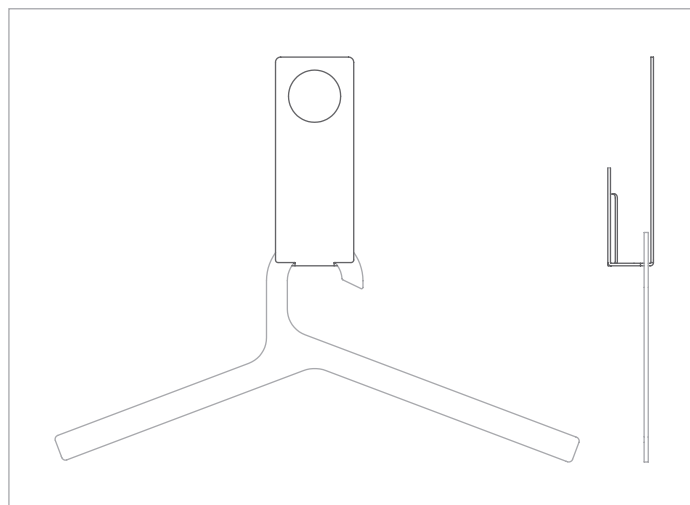
Material: Steel.

Dimensions: 35x60x160mm 1.37x2.36x6.29 "

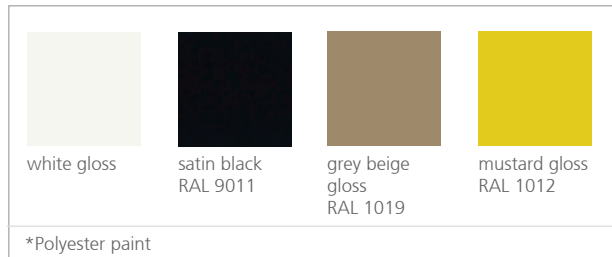
BURACO



It allows hanging conventional hangers



SI units: mm and inches

Finishes:

Consult for special dimensions or any other modification.

Maintenance:

-Polyester Paint:

For dry dirt (dust), use a damp cloth. For greasy/oily stains (fingerprints), wipe with a sponge with water and dishwashing liquid. Rinse with a damp cloth. Avoid using products containing solvents and/or pure ethyl alcohol.

Assembly:

wall

