

systemtronic

datasheet SUPPORT



General description:

This laptop stand allows you to adapt ergonomically correct position while working.

Designer: STC Studio.



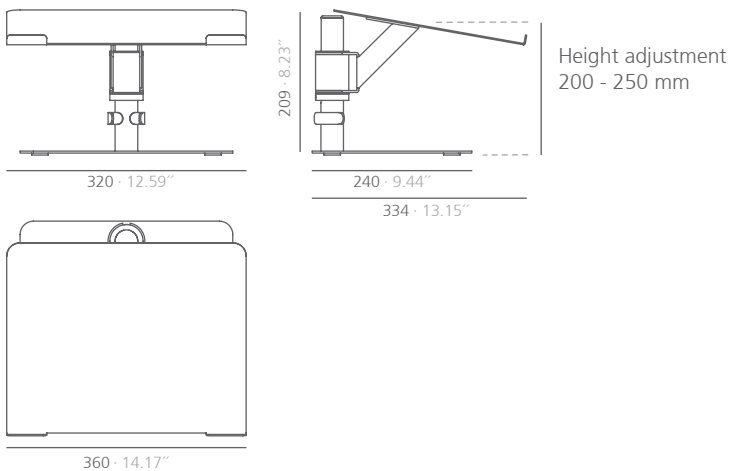
Technical description:

Material:

Column: Aluminum anodized silver matt finish.
 Tray and base: Painted steel.

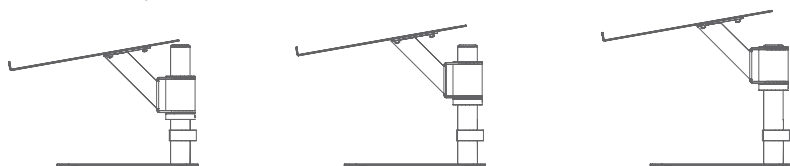
Dimensions: 360x334x209 mm 14.17x13.15x8.23 "

SUPPORT

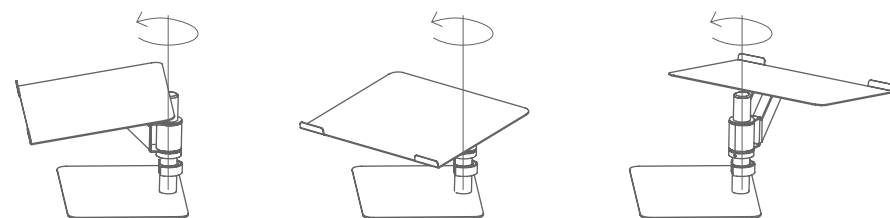


SI units: mm and inches

Vertical mobility



Rotated 360 °



Finishes:

Tray and base		Column
		
white gloss RAL 9010	textured forged grey	aluminum anodized
*Polyester paint		

Consult for special dimensions or any other modification.