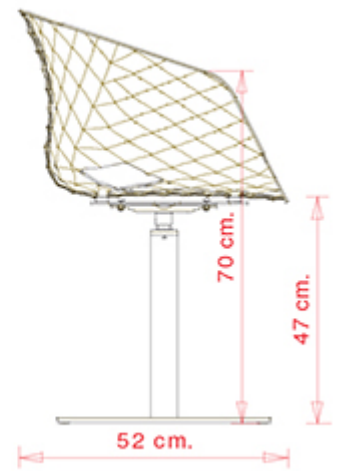


Uni-Ka 598

UNI-KA COLLECTION:

Uni-ka 594, Uni-Ka 594M, Uni-Ka 595, Uni-Ka 595M, Uni-Ka 596, Uni-Ka 596M, Uni-Ka 597-DP, Uni-Ka 597-DR, Uni-Ka 597M-DP, Uni-Ka 597M-DR, Uni-Ka 598, Uni-Ka 598M, Uni-Ka 599M, Uni-Ka 599, Uni-Ka 600, Uni-Ka 600M, Uni-Ka 601, Uni-Ka 601M, Uni-Ka 604, Uni-Ka 604M,



Swivel armchair with central steel base, kick back device and polypropylene shell.

WEIGHT

15,8 kg

PACK

0,34 m³

PIECES PER BOX

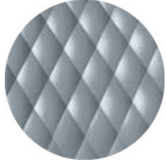
1

FINISHES SEATING

PP POLYPROPYLENE



RAL 9016 Traffic white
≡



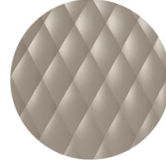
RAL 7000 Squirrel grey
≡



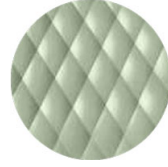
PANTONE 549 C
Dusty blue
≡



PANTONE 411 C Clay
≡



NCS S4005-Y50R
Turtle-dove
≡



NCS S3010-G30Y
Pistachio
≡



RAL 9005 Jet black
≡



RAL 7016 Anthracite
grey
≡



NCS S2060-Y90R
Coral red
≡

FRAMES

AC STEEL



RAL 9005
VR Jet black
☀



RAL 9005
VR Matt Jet Black
☀



RAL 9016
VR Traffic white
☀



RAL 9010
VR Pure white
☀



RAL 9006
VR White aluminium
☀



PANTONE 402 C
VR Turtle-dove
☀



RAL 7016
VR Anthracite grey
☀



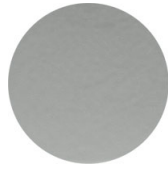
VR Pewter
☀



RAL 3003
VR Ruby red
☀



RAL 8017
VR Chocolate brown
☀



RAL 7037
VR Matt Dusty grey
☀



VR Rough metallic
bronze
☀



CR Chrome

USES

coffee & restaurants, hotels, educational, entertainment, travel, office and waiting areas, retail, health care,