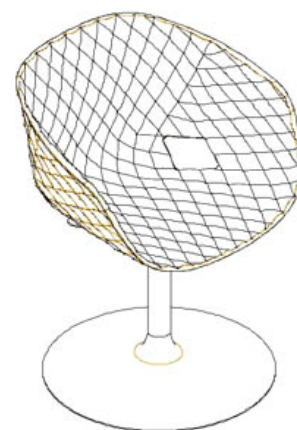
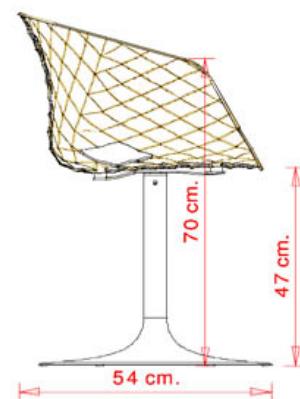
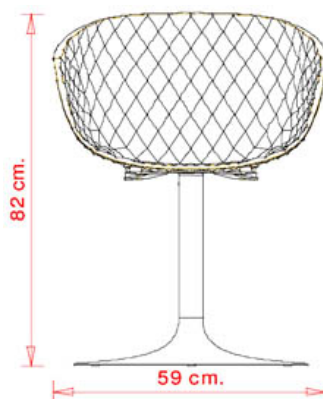


Uni-Ka 600

UNI-KA COLLECTION:

Uni-ka 594, Uni-Ka 594M, Uni-Ka 595, Uni-Ka 595M, Uni-Ka 596, Uni-Ka 596M, Uni-Ka 597-DP, Uni-Ka 597-DR, Uni-Ka 597M-DP, Uni-Ka 597M-DR, Uni-Ka 598, Uni-Ka 598M, Uni-Ka 599M, Uni-Ka 599, Uni-Ka 600, Uni-Ka 600M, Uni-Ka 601, Uni-Ka 601M, Uni-Ka 604, Uni-Ka 604M,



Swivel armchair with central steel base. Polypropylene shell.

WEIGHT

10,6 kg

PACK

0,34 m³

PIECES PER BOX

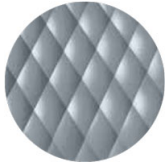
1

FINISHES SEATING

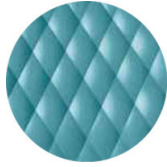
PP POLYPROPYLENE



RAL 9016 Traffic white
≡



RAL 7000 Squirrel grey
≡



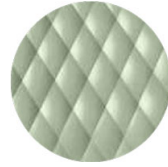
PANTONE 549 C
Dusty blue
≡



PANTONE 411 C Clay
≡



NCS S4005-Y50R
Turtle-dove
≡



NCS S3010-G30Y
Pistachio
≡



RAL 9005 Jet black
≡



RAL 7016 Anthracite
grey
≡



NCS S2060-Y90R
Coral red
≡

FRAMES

AC STEEL



RAL 9005
VR Jet black



RAL 9005
VR Matt Jet Black



RAL 9016
VR Traffic white



RAL 9010
VR Pure white



RAL 9006
VR White aluminium



PANTONE 402 C
VR Turtle-dove



RAL 7016
VR Anthracite grey



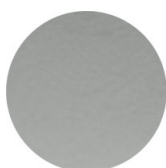
VR Pewter



RAL 3003
VR Ruby red



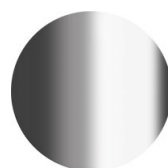
RAL 8017
VR Chocolate brown



RAL 7037
VR Matt Dusty grey



VR Rough metallic
bronze



CR Chrome

CERTIFICATIONS

> UNI/EN 16139:2013 - Par.6. Prova 8. Prova di fatica sedile e schienale: 2-Usò estremo (21/09/16)

USES

coffee & restaurants, hotels, educational, entertainment, travel, office and waiting areas, retail, health care,